







16' 0' 8' 16'

FOR 24"x36" DRAWINGS  
 GRAPHIC SCALE: 1/8" = 1'-0"  
 FOR 11"x17" DRAWINGS  
 GRAPHIC SCALE: 1/16" = 1'-0"



SITE PLAN W/ AERIAL



**FLOOD NOTE:**  
 THE SUBJECT PROJECT AREA APPEARS TO BE WITHIN ZONE "VE", MAP NUMBER 12021C0379H, COMMUNITY NUMBER 125130 PANEL NUMBER 0379, SUFFIX H WITH AN EFFECTIVE DATE OF 05/16/2012, HAVING A BASE FLOOD ELEVATION OF 12' (NORTH AMERICAN VERTICAL DATUM OF 1988).

**KEY:**

- v— WATER MAIN
- - - RECLAIMED WATER LINE
- SW— STORMWATER MAIN
- SAN— SANITARY GRAVITY MAIN
- - - ABANDONED ASBESTOS CEMENT

OWNER: GEORGE, VERNA M & DAVID A  
 PARCEL ID # 20847500028

OWNER: GEORGE, VERNA M & DAVID A  
 PARCEL ID # 20847500028

**PROPOSED POLE LOCATION**  
 LATITUDE - 26°11'37.56" (26.193767)  
 LONGITUDE - 081°48'46.29" (-81.812858)  
 PROPOSED HEIGHT OF POLE = 29' AGL  
 PROPOSED HIGHEST APPURTENANCE = 35' AGL  
 EXISTING GROUND ELEVATION = 4.4'

OWNER: NO INFORMATION

**CONSTRUCTION NOTE:**  
 ANY CONSTRUCTION AT THE SITE WILL USE BEST MANAGEMENT PRACTICES INCLUDING SOIL EROSION CONTROL MEASURES, AS ALSO REQUIRED BY LOCAL JURISDICTION, AND NOTED ON THE CONSTRUCTION DRAWING.

**NOTES:**  
 CONTRACTOR SHALL RESTORE AND REPAIR ANY DAMAGED AREAS CAUSED BY CONSTRUCTION TO ORIGINAL OR BETTER CONDITION.  
 ALL NEW WORK TO BE PERFORMED PER LATEST VERIZON WIRELESS STANDARDS & SPECIFICATIONS.

REV	DATE	DESCRIPTION
0	08/16/23	FINAL PLANS ISSUED

PROJECT NO.:	22-5527
DRAWN BY:	J.MENDEZ
PROJECT MANAGER:	M. MURPHY
CHECKED BY:	M. MURPHY

THIS DRAWING IS COPYRIGHTED AND IS THE SOLE PROPERTY OF THE OWNER. IT IS PRODUCED SOLELY FOR USE BY THE OWNER AND ITS AFFILIATES. REPRODUCTION OR USE OF THIS DRAWING AND/OR THE INFORMATION CONTAINED IN IT IS FORBIDDEN WITHOUT THE WRITTEN PERMISSION OF THE OWNER.

ENGINEERING GROUP, INC.  
 TOGETHER PLANNING A BETTER TOMORROW

12979 TELECOM PARKWAY N  
 TEMPLE TERRACE, FLORIDA 33637  
 (813) 615-1422

CERTIFICATE OF AUTHORIZATION 33693

7701 TELECOM PARKWAY EAST  
 TEMPLE TERRACE, FLORIDA 33637

THIS DOCUMENT HAS BEEN ELECTRONICALLY SIGNED AND SEALED BY JEREMY D. SHARIT, PE (#75137) USING A DIGITAL SIGNATURE IN ACCORDANCE WITH F.A.C. 61G15-23.004, WITH A DIGITAL CERTIFICATE ISSUED BY ENTRUST, INC. PLEASE REFERENCE SHEET T1 TO VIEW THE SIGNATURE AND VERIFY ITS PROPERTIES. PRINTED COPIES OF THIS DOCUMENT ARE NOT CONSIDERED SIGNED AND SEALED AND THE SIGNATURE MUST BE VERIFIED ON ANY ELECTRONIC COPIES.

NAPLES GS SC 2  
 #16976713

RIGHT-OF-WAY OF GULF SHORE BOULEVARD N JUST SOUTH OF PARK SHORE DRIVE  
 NAPLES, FLORIDA 34103  
 (COLLIER COUNTY)

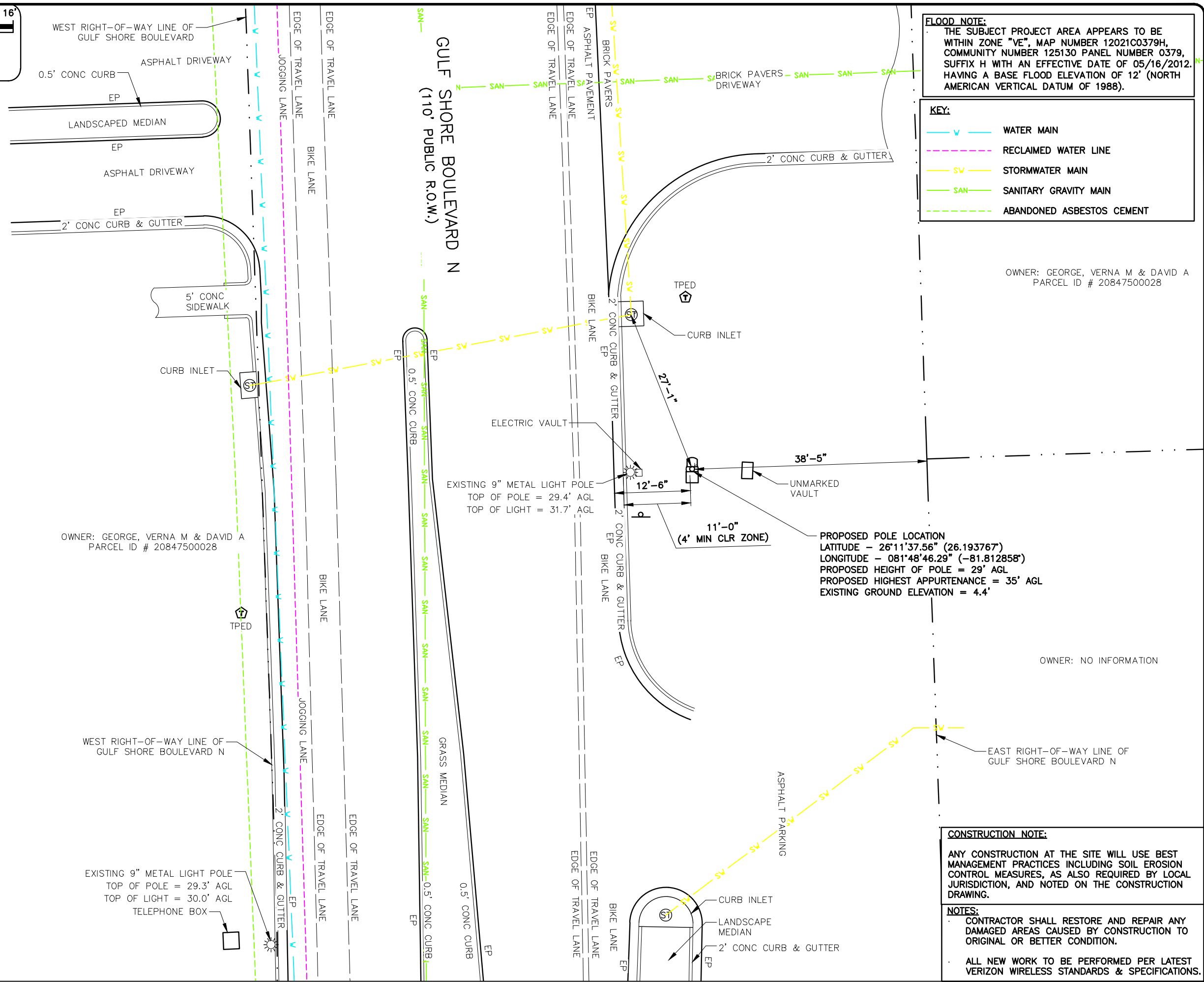
SHEET NAME  
 SITE PLAN  
 W/ AERIAL

SHEET NUMBER  
 C1

SCALE AS NOTED 1

16' 0' 8' 16'

FOR 24"x36" DRAWINGS  
 GRAPHIC SCALE: 1/8" = 1'-0"  
 FOR 11"x17" DRAWINGS  
 GRAPHIC SCALE: 1/16" = 1'-0"



**FLOOD NOTE:**  
 THE SUBJECT PROJECT AREA APPEARS TO BE WITHIN ZONE "VE", MAP NUMBER 12021C0379H, COMMUNITY NUMBER 125130 PANEL NUMBER 0379, SUFFIX H WITH AN EFFECTIVE DATE OF 05/16/2012, HAVING A BASE FLOOD ELEVATION OF 12' (NORTH AMERICAN VERTICAL DATUM OF 1988).

**KEY:**

- WATER MAIN
- RECLAIMED WATER LINE
- STORMWATER MAIN
- SANITARY GRAVITY MAIN
- ABANDONED ASBESTOS CEMENT

OWNER: GEORGE, VERNA M & DAVID A  
 PARCEL ID # 20847500028

OWNER: GEORGE, VERNA M & DAVID A  
 PARCEL ID # 20847500028

OWNER: NO INFORMATION

**CONSTRUCTION NOTE:**  
 ANY CONSTRUCTION AT THE SITE WILL USE BEST MANAGEMENT PRACTICES INCLUDING SOIL EROSION CONTROL MEASURES, AS ALSO REQUIRED BY LOCAL JURISDICTION, AND NOTED ON THE CONSTRUCTION DRAWING.

**NOTES:**  
 CONTRACTOR SHALL RESTORE AND REPAIR ANY DAMAGED AREAS CAUSED BY CONSTRUCTION TO ORIGINAL OR BETTER CONDITION.  
 ALL NEW WORK TO BE PERFORMED PER LATEST VERIZON WIRELESS STANDARDS & SPECIFICATIONS.

REV	DATE	DESCRIPTION
0	08/16/23	FINAL PLANS ISSUED

PROJECT NO.:	22-5527
DRAWN BY:	J.MENDEZ
PROJECT MANAGER:	M. MURPHY
CHECKED BY:	M. MURPHY

THIS DRAWING IS COPYRIGHTED AND IS THE SOLE PROPERTY OF THE OWNER. IT IS PRODUCED SOLELY FOR USE BY THE OWNER AND ITS AFFILIATES. REPRODUCTION OR USE OF THIS DRAWING AND/OR THE INFORMATION CONTAINED IN IT IS FORBIDDEN WITHOUT THE WRITTEN PERMISSION OF THE OWNER.

**SMW**  
 ENGINEERING GROUP, INC.  
 TOGETHER PLANNING A BETTER TOMORROW

12979 TELECOM PARKWAY N  
 TEMPLE TERRACE, FLORIDA 33637  
 (813) 615-1422

CERTIFICATE OF AUTHORIZATION 33693

**verizon**

7701 TELECOM PARKWAY EAST  
 TEMPLE TERRACE, FLORIDA 33637

THIS DOCUMENT HAS BEEN ELECTRONICALLY SIGNED AND SEALED BY JEREMY D. SHARIT, PE (#75137) USING A DIGITAL SIGNATURE IN ACCORDANCE WITH F.A.C. 61G15-23.004, WITH A DIGITAL CERTIFICATE ISSUED BY ENTRUST, INC. PLEASE REFERENCE SHEET T1 TO VIEW THE SIGNATURE AND VERIFY ITS PROPERTIES. PRINTED COPIES OF THIS DOCUMENT ARE NOT CONSIDERED SIGNED AND SEALED AND THE SIGNATURE MUST BE VERIFIED ON ANY ELECTRONIC COPIES.

NAPLES GS SC 2  
 #16976713

RIGHT-OF-WAY OF GULF SHORE BOULEVARD N JUST SOUTH OF PARK SHORE DRIVE  
 NAPLES, FLORIDA 34103  
 (COLLIER COUNTY)

SHEET NAME  
 SITE PLAN

SHEET NUMBER  
 C2













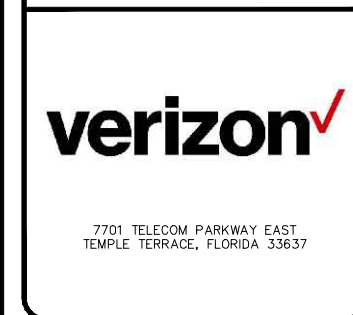
REV	DATE	DESCRIPTION
0	08/16/23	FINAL PLANS ISSUED

PROJECT NO.:	22-5527
DRAWN BY:	J.MENDEZ
PROJECT MANAGER:	M. MURPHY
CHECKED BY:	M. MURPHY

THIS DRAWING IS COPYRIGHTED AND IS THE SOLE PROPERTY OF THE OWNER. IT IS PRODUCED SOLELY FOR USE BY THE OWNER AND ITS AFFILIATES. REPRODUCTION OR USE OF THIS DRAWING AND/OR THE INFORMATION CONTAINED IN IT IS FORBIDDEN WITHOUT THE WRITTEN PERMISSION OF THE OWNER.



12979 TELECOM PARKWAY N  
 TEMPLE TERRACE, FLORIDA 33637  
 (813) 615-1422  
 CERTIFICATE OF AUTHORIZATION 33693

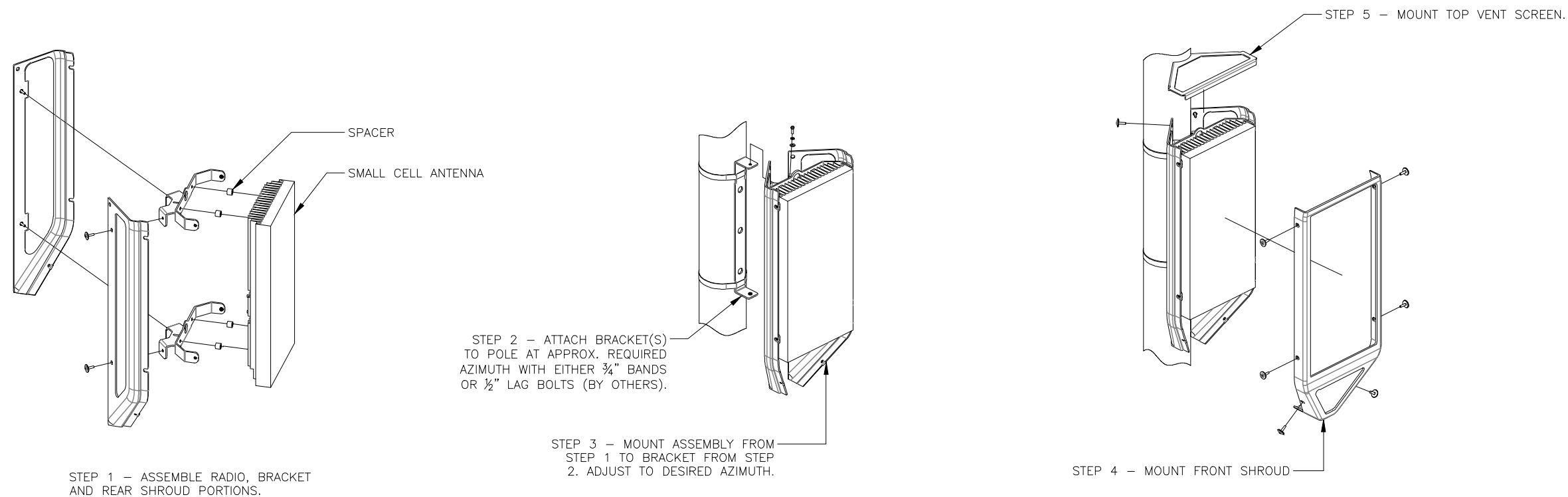


THIS DOCUMENT HAS BEEN ELECTRONICALLY SIGNED AND SEALED BY JEREMY D. SHARIT, PE (#75137) USING A DIGITAL SIGNATURE IN ACCORDANCE WITH F.A.C. 61G15-23.004, WITH A DIGITAL CERTIFICATE ISSUED BY ENTRUST, INC. PLEASE REFERENCE SHEET T1 TO VIEW THE SIGNATURE AND VERIFY ITS PROPERTIES. PRINTED COPIES OF THIS DOCUMENT ARE NOT CONSIDERED SIGNED AND SEALED AND THE SIGNATURE MUST BE VERIFIED ON ANY ELECTRONIC COPIES.

NAPLES GS SC 2  
 #16976713  
 RIGHT-OF-WAY OF GULF SHORE BOULEVARD N JUST SOUTH OF PARK SHORE DRIVE  
 NAPLES, FLORIDA 34103  
 (COLLIER COUNTY)

SHEET NAME  
 ANTENNA MOUNTING  
 DETAIL

SHEET NUMBER  
 C7



**A – GENERAL**

- A1. ALL ELECTRICAL WORK SHALL CONFORM TO THE NATIONAL ELECTRICAL CODE (EDITION ADOPTED BY LOCAL JURISDICTION) AND APPLICABLE LOCAL CODES.
- A2. GROUNDING SHALL COMPLY WITH ARTICLE 250 OF THE NATIONAL ELECTRIC CODE.
- A3. ALL ELECTRICAL EQUIPMENT AND ACCESSORIES SHALL BE U.L. APPROVED OR LISTED.
- A4. ALL POWER WIRING SHALL BE STRANDED COPPER, TYPE THHN/THHW, AND 90 DEGREES C RATED.
- A5. GROUNDING ELECTRODE CONDUCTORS SHALL BE BARE, TIN COATED COPPER AND EQUIPMENT GROUND CONDUCTORS SHALL BE GREEN INSULATED, UNLESS OTHERWISE NOTED.
- A6. ALL POWER WIRING SHALL BE INSTALLED IN GALVANIZED RIGID STEEL CONDUIT, PVC, OR FLEXIBLE LIQUIDTIGHT CONDUIT, AS INDICATED.
- A7. CONTRACTOR SHALL OBTAIN ALL PERMITS, PAY PERMIT FEES, AND SCHEDULE INSPECTIONS.
- A8. CONTRACTOR SHALL APPLY FOR ELECTRICAL SERVICE AS SOON AS POSSIBLE AND COORDINATE REQUIREMENTS, SERVICE ROUTING, AND METER SOCKET TYPE WITH LOCAL POWER COMPANY.
- A9. CONTRACTOR SHALL APPLY FOR TELEPHONE SERVICE AS SOON AS POSSIBLE AND COORDINATE REQUIREMENTS AND SERVICE ROUTING WITH TELEPHONE COMPANY.
- A10. CONTRACTOR TO PROVIDE ALL LABOR AND MATERIALS DESCRIBED IN THESE DRAWINGS, AND ALL ITEMS REQUIRED TO COMPLETE AND PRESENT THIS PROJECT AS FULLY OPERATIONAL.
- A11. WHERE LONG POWER CABLE RUNS PREVAIL, CONTRACTOR SHALL CALCULATE THE VOLTAGE DROP AND SIZE WIRES AND CONDUIT ACCORDINGLY.
- A12. WHEN TRANSFORMER IS REQUIRED FOR ELECTRICAL SERVICE, TRANSFORMER SECONDARY SHALL BE GROUNDED PER N.E.C., ARTICLE 250-26.
- A13. REFER TO SITE SPECIFIC DRAWINGS FOR ELEVATIONS.
- A14. ALL ELECTRICAL DEVICES EXPOSED TO WEATHER SHALL BE OF RAINPROOF CONSTRUCTION AND SHALL REQUIRE WATER TIGHT CONDUIT HUBS. NEMA 3R TYPICAL
- A15. CONTRACTOR SHALL COIL CABLES AT HAND HOLE WITH LENGTHS AS REQUIRED BY ELECTRICAL UTILITY FOR CONNECTION BY UTILITY.
- A16. ALL UNDERGROUND SERVICE ENTRANCE POWER CABLES SHALL BE TYPE FOR SUCH USE. CONTRACTOR SHALL CALCULATE VOLTAGE DROP AND RE-SIZE CABLES PER NEC REQUIREMENTS FOR CABLE RUNS EXCEEDING 250 FEET.

**B – POWER CABLE AND SERVICE**

- B1. CONTRACTOR SHALL PROVIDE CONDUIT AND WIRING TO BTS AND VERIFY EXACT CONDUIT ROUTING. RACEWAY SYSTEM MATERIALS AND DEVICES FURNISHED SHALL BE IN ACCORDANCE WITH APPLICABLE STANDARDS OF ANSI, NEMA, AND UL. RACEWAY SYSTEM COMPONENTS SHALL BE INSTALLED IN ACCORDANCE WITH APPLICABLE REQUIREMENTS OF THE N.E.C.
- B2. CONTRACTOR SHALL SEAL AROUND ALL CONDUIT PENETRATIONS THROUGH WALLS, FLOORS AND ROOFS TO PREVENT MOISTURE PENETRATION OR VERMIN INFESTATION.
- B3. CONDUCTORS RUNNING ALONG HORIZONTAL SURFACES (ROOF TOP OR SLAB) SHALL BE INSTALLED IN RIGID CONDUIT SUPPORTED WITH ELECTRICAL CONDUIT SUPPORT.
- B4. ALL VERTICAL RUNS OF POWER CABLE EXCEEDING 80 FEET IN LENGTH SHALL BE SUPPORTED PER N.E.C. ARTICLE 300 USING KELLEMS GRIPS OR ACCEPTABLE EQUAL CABLE SUPPORT SYSTEM.
- B5. WHERE A SEPARATE ELECTRICAL SERVICE DROP IS ADDED, CONTRACTOR SHALL INSTALL PERMANENT SERVICE DISCONNECT OR GROUPING THEREOF, DENOTING ALL OTHER SERVICE ENTRANCES, LOCATION OF EACH AND THE AREAS SERVED BY EACH.
- B6. WHERE ELECTRICAL POWER IS TO BE SUB-FED FROM AN EXISTING DISTRIBUTION SYSTEM, THE FOLLOWING SHALL APPLY:
  - A) CONTRACTOR SHALL PERFORM LOAD TESTING TO DETERMINE MAXIMUM FEEDER DEMAND PER N.E.C. ARTICLE 220-35.
  - B) CONTRACTOR SHALL VERIFY WHETHER EXISTING FEEDER CAPACITY EXCEEDS VALUE CALCULATED PER N.E.C. ARTICLE 220-35
  - C) EACH BRANCH CIRCUIT PROTECTIVE DEVICE SHALL HAVE SAME INTERRUPTING RATING AS EQUIPMENT SUPPLYING IT.
  - D) PREFERRED MEANS OF SUPPLY SHALL BE A BRANCH CIRCUIT PROTECTIVE DEVICE LOCATED IN EXISTING PANEL.
  - E) IF A BRANCH CIRCUIT PROTECTIVE DEVICE CANNOT BE OBTAINED OR SPACE IS NOT AVAILABLE, A BRANCH CIRCUIT MAY BE TAPPED FROM EXISTING FEEDER CONDUCTORS USING AN INSTALLED 2-POLE FUSED DISCONNECT AND METER BASE PER N.E.C. ARTICLE 240-21 WITH TEN FOOT (10) MAXIMUM TAP CONDUCTORS. FUSED DISCONNECT SHALL BE LISTED WITH SAME OR BETTER INTERRUPTING RATING AS EXISTING SOURCE OF SUPPLY.

**C – RF (COAX) AND LOW VOLTAGE CABLE**

- C1. RF CABLES AND LOW VOLTAGE CABLING BETWEEN BTS, LNA OR TMA AND ANTENNA SHALL BE SUPPORTED USING ANDREW "SNAP-IN" HANGERS OR ACCEPTABLE EQUAL.

**D – IDENTIFICATION**

- D1. LOCATE NAMEPLATE, MARKING, OR OTHER IDENTIFICATION MEANS ON OUTSIDE EQUIPMENT OR BOX FRONT COVERS.
- D2. PROVIDE NAMEPLATE ENGRAVED WITH EQUIPMENT DESIGNATION FOR EACH SAFETY SWITCH AND ALL OTHER ELECTRICAL CABINETS, ETC.
- D3. DURING TRENCH BACK-FILLING FOR EACH UNDERGROUND ELECTRICAL, TELEPHONE, SIGNAL AND COMMUNICATIONS LINE, PROVIDE A CONTINUOUS UNDERGROUND WARNING TAPE TWELVE INCHES BELOW FINISHED GRADE.

**A – GENERAL**

- A1. INSTALLATION OF GROUNDING ELECTRODE SYSTEM SHALL COMPLY WITH ARTICLE 250 OF THE NATIONAL ELECTRIC CODE AND WITH ALL BUILDING CODES OF AUTHORITIES HAVING JURISDICTION.
- A2. GROUNDING CONDUCTORS SHALL BE #2 AWG TINNED SOLID BARE COPPER BELOW AND ABOVE GRADE, UNLESS OTHERWISE NOTED AND SHALL BE ROUTED IN A DOWNWARD PATH TOWARDS GROUND BARS.
- A3. GROUNDING CONDUCTORS SHALL BE KEPT AS SHORT AND DIRECT AS POSSIBLE WITH MINIMUM BEND RADIUS OF 12 INCHES.
- A4. ALL BELOW GRADE CONNECTIONS SHALL BE CADWELD TYPE CONNECTIONS AND ALL CONNECTIONS TO EQUIPMENT AND GROUND BARS SHALL BE 2-HOLE BRONZE COMPRESSION CONNECTORS UNLESS OTHERWISE NOTED.
- A5. CONTRACTOR SHALL INSTALL NEW GROUNDING SYSTEM PER SPECIFICATIONS AND INTERCONNECT NEW SYSTEMS TO ANY EXISTING GROUNDING SYSTEMS AS REQUIRED BY NFPA 70 AND 780 (THIS APPLIES TO ELECTRICAL POWER DISTRIBUTION GROUNDING SYSTEM, LIGHTNING PROTECTION GROUNDING SYSTEM, COAX CABLE GROUNDING SYSTEM AND ANY OTHER EXISTING GROUNDING SYSTEMS).
- A6. GROUNDING CONDUCTORS SHALL BE BONDED TO ANTENNA FRAMES, AND ANY SUPPORT FRAMES OR RACKS USING CADWELD OR MECHANICAL CONNECTIONS.
- A7. CONTRACTOR SHALL PROVIDE LOCK WASHERS FOR ALL MECHANICAL CONNECTIONS FOR GROUND CONDUCTORS, STAINLESS STEEL HARDWARE SHALL BE USED THROUGHOUT.
- A8. GROUNDING CONDUCTORS EMBEDDED IN CONCRETE, PENETRATING WALLS, AND/OR FLOORS SHALL BE ENCASED IN PVC CONDUIT. NO METALLIC CONDUIT SHALL BE USED FOR GROUNDING CONDUCTORS UNLESS REQUIRED BY LOCAL CODES OR OTHERWISE INDICATED ON DRAWINGS. CONTRACTOR SHALL SEAL AROUND ALL CONDUIT PENETRATIONS TO PREVENT MOISTURE PENETRATION AND VERMIN INFESTATION.
- A9. CONTRACTOR SHALL BOND GROUNDING SYSTEM VIA THE MASTER GROUND BAR TO ALL METAL OBJECTS WITHIN 12 FEET OF EQUIPMENT, CONDUIT AND CABLES.
- A10. BONDING OF GROUNDED CONDUCTOR (NEUTRAL) AND GROUNDING CONDUCTOR SHALL BE AT SERVICE DISCONNECTING MEANS. BONDING JUMPER SHALL BE INSTALLED PER N.E.C. ARTICLE 250-28.
- A11. CONTRACTOR SHALL VERIFY EXACT CONDUIT ROUTING FOR GROUNDING CONDUCTORS WHERE APPLICABLE.
- A12. CONNECTIONS TO CGB SHALL BE ARRANGED IN THE FOLLOWING THREE GROUPS:
  - \* SURGE PRODUCERS (COAXIAL CABLE GROUND KITS, TELCO CABINET AND POWER PEDESTAL GROUND).
  - \* SURGE ABSORBERS (GROUNDING ELECTRODE RING OR BUILDING STEEL).
  - \* NON-SURGING OBJECTS (EGB GROUND IN BTS).
- A13. DOUBLING OR STACKING OF ANY GROUNDING CONNECTIONS IS NOT ACCEPTABLE.
- A14. ALL GROUND BARS SHALL BE INSTALLED WITH STAND OFF INSULATORS.

**B – PREPARATION**

- B1. SURFACES: ALL CONNECTIONS SHALL BE MADE TO BARE METAL. ALL PAINTED SURFACES SHALL BE FIELD INSPECTED TO ENSURE PROPER CONTACT. ALL GALVANIZED SURFACES ON WHICH GALVANIZING HAS BEEN REMOVED BY CUTTING, DRILLING, OR ANY OTHER OPERATION SHALL BE RE-GALVANIZED IN ACCORDANCE WITH ASTM A780 USING "ZINC RICH" COATING AS MANUFACTURED BY ZRC CHEMICAL PRODUCTS COMPANY (LOCATED IN QUINCY, MASSACHUSETTS), OR ACCEPTABLE EQUAL. NO WASHERS ARE ALLOWED BETWEEN ITEMS BEING GROUNDED. ALL CONNECTIONS ARE TO HAVE A NON-OXIDIZING AGENT ("COPPER SHIELD") APPLIED PRIOR TO INSTALLATION.
- B2. GROUND BAR: ALL COPPER GROUND BARS SHALL BE CLEANED, POLISHED AND HAVE A NON-OXIDIZING AGENT ("COPPER SHIELD") APPLIED. NO FINGER PRINTS OR DISCOLORED COPPER SHALL BE PERMITTED.

**C – LAND BUILDS AND CO-LOCATES**

- C1. THE GROUND ELECTRODE SYSTEM SHALL CONSIST OF DRIVEN GROUND RODS UNIFORMLY SPACED AROUND THE EQUIPMENT FOUNDATION AND AROUND THE PERIMETER OF THE TOWER FOUNDATION. THE GROUND RODS SHALL BE 3/8" X 10'-0" COPPER CLAD STEEL INTERCONNECTED WITH #2 SOLID TINNED BARE COPPER GROUND CONDUCTOR AT A DEPTH OF 30 INCHES BELOW THE SURFACE OF THE SOIL. A MINIMUM OF 1 FOOT AND A MAXIMUM OF 3 FEET CLEARANCES SHALL BE MAINTAINED FROM FOUNDATIONS. GROUND SYSTEMS SHALL BE INTERCONNECTED WITH TWO GROUNDING CONDUCTORS OF EQUAL LENGTH AND MATERIALS.
- C2. GROUND RODS SHALL BE BONDED TO INTERCONNECTING CONDUCTORS AT EQUAL INTERVALS OF APPROXIMATELY 10 FEET.
- C3. GROUND BARS SHALL BE BONDED TO GROUND SYSTEMS WITH SINGLE GROUNDING CONDUCTOR.
- C4. BONDS TO ANTENNA MASTS, FENCE POSTS, WAVEGUIDE BRIDGE, TOWER STEEL (UNLESS PROHIBITED BY TOWER MANUFACTURER) AND THOSE BELOW GRADE SHALL BE EXOTHERMIC TYPE (CADWELD). ALL OTHER BONDS SHALL BE BRONZE 2-HOLE COMPRESSION FITTINGS UNLESS OTHERWISE NOTED.
- C5. GROUNDING CONDUCTORS MAKING A TRANSITION FROM ABOVE TO BELOW GRADE SHALL BE INSULATED FROM EARTH CONTACT BY PASSING THROUGH PVC CONDUIT. THE CONDUIT SHALL EXTEND AT LEAST 6 INCHES ABOVE AND 12 INCHES BELOW GRADE LEVEL.

**D – GROUNDING REQUIREMENTS**

- D1. CONTRACTOR SHALL INSPECT AND TEST ANY NEW OR EXISTING VERIZON WIRELESS GROUNDING SYSTEM WITH A BIDDLE-MEGGER TESTER UTILIZING THE FALL OF POTENTIAL METHOD AND CONTACT CONSTRUCTION MANAGER IF RESISTANCE EXCEEDS 5 OHMS AND SHALL FIELD MODIFY GROUNDING SYSTEM AS NECESSARY TO ACHIEVE COMPLIANCE. TEST RESULTS AND CONCLUSIONS SHALL BE RECORDED FOR PROJECT CLOSE-OUT DOCUMENTATION.
- D2. COAX CABLE OUTER CONDUCTORS (SHIELDS) SHALL BE GROUNDED USING COAX GROUNDING KITS AT A MINIMUM OF TWO POINTS, INCLUDING AT ANTENNA AND AT MASTER GROUND BAR. THE COAXIAL CABLE SHALL NOT EXCEED 100 FEET BETWEEN GROUNDING KITS.

REV	DATE	DESCRIPTION
0	08/16/23	FINAL PLANS ISSUED

PROJECT NO.:	22-5527
DRAWN BY:	J.MENDEZ
PROJECT MANAGER:	M. MURPHY
CHECKED BY:	M. MURPHY

THIS DRAWING IS COPYRIGHTED AND IS THE SOLE PROPERTY OF THE OWNER. IT IS PRODUCED SOLELY FOR USE BY THE OWNER AND ITS AFFILIATES. REPRODUCTION OR USE OF THIS DRAWING AND/OR THE INFORMATION CONTAINED IN IT IS FORBIDDEN WITHOUT THE WRITTEN PERMISSION OF THE OWNER.



12979 TELECOM PARKWAY N  
TEMPLE TERRACE, FLORIDA 33637  
(813) 615-1422  
CERTIFICATE OF AUTHORIZATION 33693



THIS DOCUMENT HAS BEEN ELECTRONICALLY SIGNED AND SEALED BY JEREMY D. SHARIT, PE (#75137) USING A DIGITAL SIGNATURE IN ACCORDANCE WITH F.A.C. 61G15-23.004, WITH A DIGITAL CERTIFICATE ISSUED BY ENTRUST, INC. PLEASE REFERENCE SHEET T1 TO VIEW THE SIGNATURE AND VERIFY ITS PROPERTIES. PRINTED COPIES OF THIS DOCUMENT ARE NOT CONSIDERED SIGNED AND SEALED AND THE SIGNATURE MUST BE VERIFIED ON ANY ELECTRONIC COPIES.

NAPLES GS SC 2  
#16976713

RIGHT-OF-WAY OF GULF SHORE BOULEVARD N JUST SOUTH OF PARK SHORE DRIVE  
NAPLES, FLORIDA 34103  
(COLLIER COUNTY)

SHEET NAME  
ELECTRICAL /  
GROUNDING NOTES

SHEET NUMBER  
E1

**KEY:**

	WATER MAIN
	RECLAIMED WATER LINE
	STORMWATER MAIN
	SANITARY GRAVITY MAIN

**BILL OF MATERIALS:**

WIRE SIZE:	#1	#3
WIRE COUNT:	3	3
WIRE LENGTH:	99' ea	99' ea
WIRE TYPE:	ALUMINUM	COPPER
HANDHOLE COUNT:	1	1

REV	DATE	DESCRIPTION
0	08/16/23	FINAL PLANS ISSUED

PROJECT NO.: 22-5527

DRAWN BY: J.MENDEZ

PROJECT MANAGER: M. MURPHY

CHECKED BY: M. MURPHY

THIS DRAWING IS COPYRIGHTED AND IS THE SOLE PROPERTY OF THE OWNER. IT IS PRODUCED SOLELY FOR USE BY THE OWNER AND ITS AFFILIATES. REPRODUCTION OR USE OF THIS DRAWING AND/OR THE INFORMATION CONTAINED IN IT IS FORBIDDEN WITHOUT THE WRITTEN PERMISSION OF THE OWNER.

**SNW**  
ENGINEERING GROUP, INC.

TOGETHER PLANNING A BETTER TOMORROW

12979 TELECOM PARKWAY N  
TEMPLE TERRACE, FLORIDA 33637  
(813) 615-1422

CERTIFICATE OF AUTHORIZATION 33693

**verizon**

7701 TELECOM PARKWAY EAST  
TEMPLE TERRACE, FLORIDA 33637

THIS DOCUMENT HAS BEEN ELECTRONICALLY SIGNED AND SEALED BY JEREMY D. SHARIT, PE (#75137) USING A DIGITAL SIGNATURE IN ACCORDANCE WITH F.A.C. 61G15-23.004, WITH A DIGITAL CERTIFICATE ISSUED BY ENTRUST, INC. PLEASE REFERENCE SHEET T1 TO VIEW THE SIGNATURE AND VERIFY ITS PROPERTIES. PRINTED COPIES OF THIS DOCUMENT ARE NOT CONSIDERED SIGNED AND SEALED AND THE SIGNATURE MUST BE VERIFIED ON ANY ELECTRONIC COPIES.

NAPLES GS SC 2  
#16976713

RIGHT-OF-WAY OF GULF SHORE BOULEVARD N JUST SOUTH OF PARK SHORE DRIVE  
NAPLES, FLORIDA 34103  
(COLLIER COUNTY)

SHEET NAME

UTILITY  
POWER PLAN

SHEET NUMBER

E2



**CONSTRUCTION NOTE:**

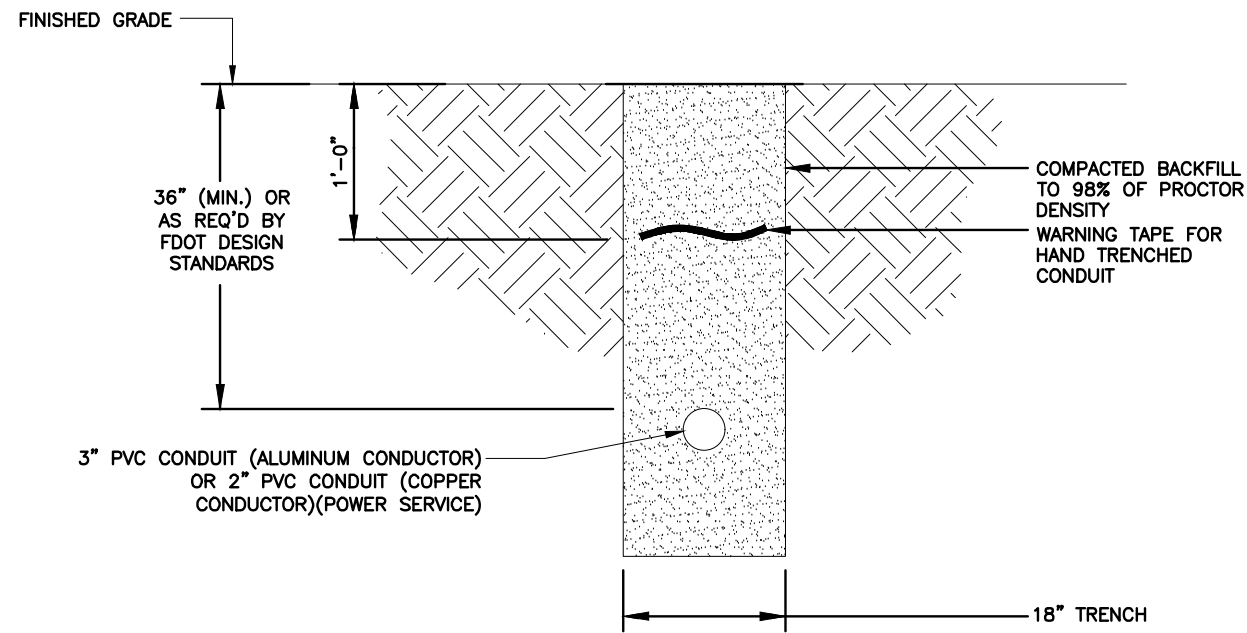
ANY CONSTRUCTION AT THE SITE WILL USE BEST MANAGEMENT PRACTICES INCLUDING SOIL EROSION CONTROL MEASURES, AS ALSO REQUIRED BY LOCAL JURISDICTION, AND NOTED ON THE CONSTRUCTION DRAWING.

**NOTES:**

CONTRACTOR SHALL RESTORE AND REPAIR ANY DAMAGED AREAS CAUSED BY CONSTRUCTION TO ORIGINAL OR BETTER CONDITION.

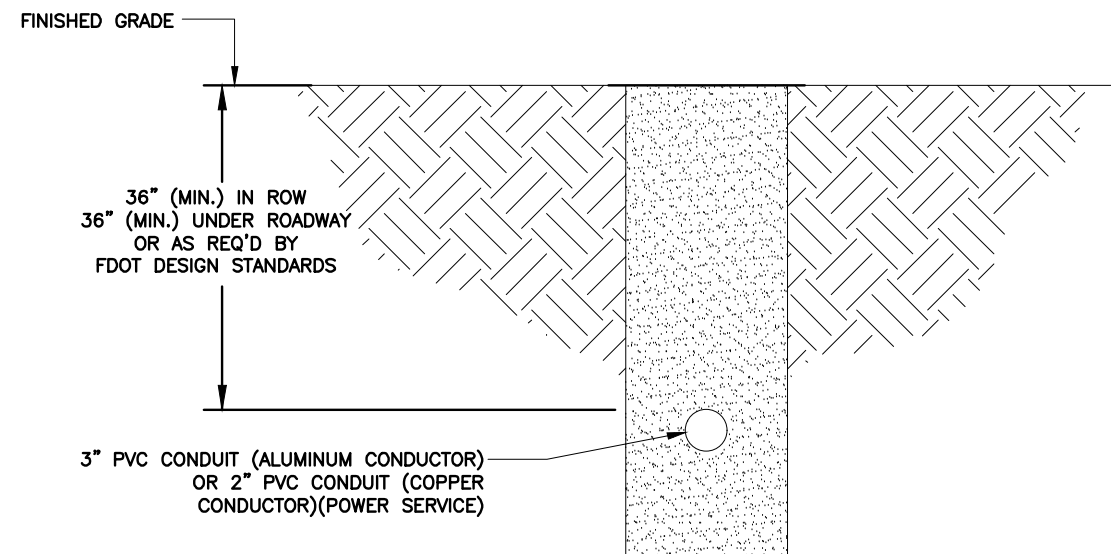
ALL NEW WORK TO BE PERFORMED PER LATEST VERIZON WIRELESS STANDARDS & SPECIFICATIONS AND PER CITY OF NAPLES PUBLIC WORKS STANDARDS.

**PROPOSED POLE LOCATION**  
LATITUDE - 26°11'37.56" (26.193767°)  
LONGITUDE - 081°48'46.29" (-81.812858°)



TRENCHING DETAIL

NTS 1



BORING DETAIL

NTS 2

REV	DATE	DESCRIPTION
0	08/16/23	FINAL PLANS ISSUED

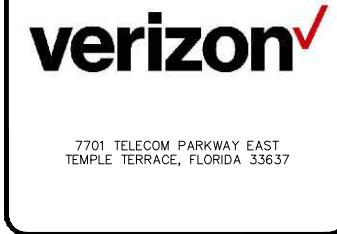
PROJECT NO.:	22-5527
DRAWN BY:	J.MENDEZ
PROJECT MANAGER:	M. MURPHY
CHECKED BY:	M. MURPHY

THIS DRAWING IS COPYRIGHTED AND IS THE SOLE PROPERTY OF THE OWNER. IT IS PRODUCED SOLELY FOR USE BY THE OWNER AND ITS AFFILIATES. REPRODUCTION OR USE OF THIS DRAWING AND/OR THE INFORMATION CONTAINED IN IT IS FORBIDDEN WITHOUT THE WRITTEN PERMISSION OF THE OWNER.



12979 TELECOM PARKWAY N  
 TEMPLE TERRACE, FLORIDA 33637  
 (813) 615-1422

CERTIFICATE OF AUTHORIZATION 33693



7701 TELECOM PARKWAY EAST  
 TEMPLE TERRACE, FLORIDA 33637

THIS DOCUMENT HAS BEEN ELECTRONICALLY SIGNED AND SEALED BY JEREMY D. SHARIT, PE (#75137) USING A DIGITAL SIGNATURE IN ACCORDANCE WITH F.A.C. 61G15-23.004, WITH A DIGITAL CERTIFICATE ISSUED BY ENTRUST, INC. PLEASE REFERENCE SHEET T1 TO VIEW THE SIGNATURE AND VERIFY ITS PROPERTIES. PRINTED COPIES OF THIS DOCUMENT ARE NOT CONSIDERED SIGNED AND SEALED AND THE SIGNATURE MUST BE VERIFIED ON ANY ELECTRONIC COPIES.

NAPLES GS SC 2  
 #16976713

RIGHT-OF-WAY OF GULF SHORE BOULEVARD N JUST SOUTH OF PARK SHORE DRIVE  
 NAPLES, FLORIDA 34103  
 (COLLIER COUNTY)

SHEET NAME  
 ELECTRICAL  
 DETAILS

SHEET NUMBER  
 E3



