



VERIZON SITE NAME  
 NAPLES GULF SHORE THE  
 BILLOWS

VERIZON SITE NUMBER  
 #9064976

RIGHT-OF-WAY OF GULF SHORE BOULEVARD  
 JUST SOUTH OF HARBOUR DRIVE  
 NAPLES, FLORIDA 34103  
 (COLLIER COUNTY)

INSTALLATION OF PROPOSED SMALL CELL  
 EQUIPMENT TO PROPOSED METAL POLE

REV	DATE	DESCRIPTION
0	06/06/23	FINAL PLANS ISSUED
1	07/19/23	REVISED PER COMMENTS
2	09/06/23	REVISED PER COMMENTS

PROJECT NO.: 17-5526

DRAWN BY:	J.MENDEZ
PROJECT MANAGER:	M. MURPHY
CHECKED BY:	M. MURPHY

THIS DRAWING IS COPYRIGHTED AND IS THE SOLE PROPERTY OF THE OWNER. IT IS PRODUCED SOLELY FOR USE BY THE OWNER AND ITS AFFILIATES. REPRODUCTION OR USE OF THIS DRAWING AND/OR THE INFORMATION CONTAINED IN IT IS FORBIDDEN WITHOUT THE WRITTEN PERMISSION OF THE OWNER.



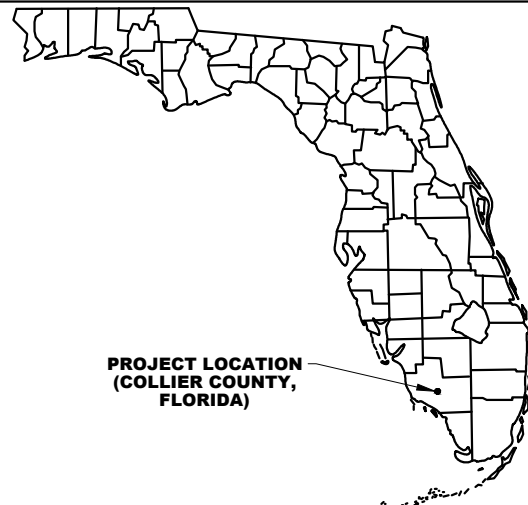
13051 TELECOM PARKWAY, SUITE 100  
 TEMPLE TERRACE, FLORIDA 33637  
 (813) 615-1422

CERTIFICATE OF AUTHORIZATION 28767



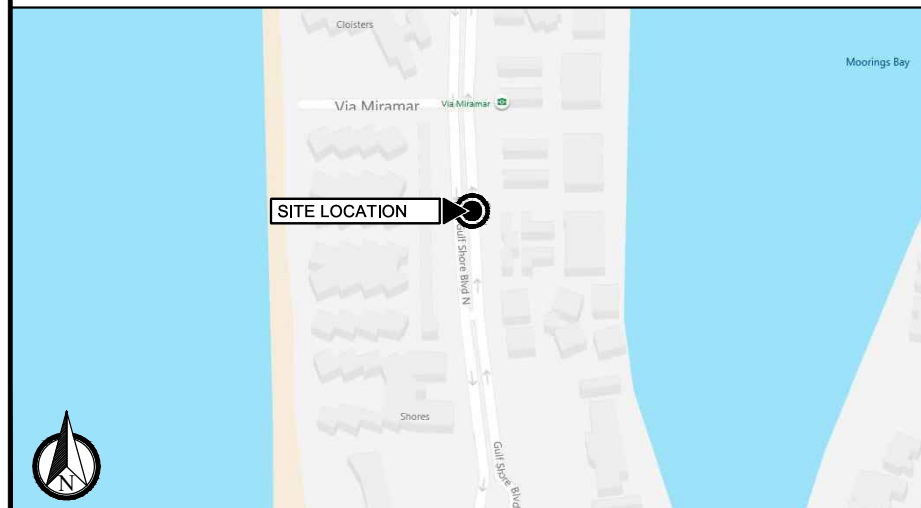
7701 TELECOM PARKWAY EAST  
 TEMPLE TERRACE, FLORIDA 33637

LOCAL MAP



PROJECT LOCATION  
 (COLLIER COUNTY,  
 FLORIDA)

VICINITY MAP



DRIVING DIRECTIONS

FROM VERIZON'S TAMPA OFFICE, DEPART E TELECOM PKWY AND TURN RIGHT ONTO E FLETCHER AVE / CR-582A E. TAKE RAMP FOR I-75 S. TAKE EXIT 111 RAMP RIGHT FOR CR-846 W. TURN RIGHT ONTO IMMOKALEE RD / CR-846 W. TURN LEFT ONTO US-41 S / SR-45 S / TAMiami TRAIL N. TURN RIGHT ONTO HARBOUR DR. TURN LEFT ONTO GULF SHORE BLVD N. SITE IS LOCATED ON THE LEFT HAND SIDE OF THE ROAD.

PROPERTY SUMMARY

PARCEL #: N/A (R.O.W.)  
 LATITUDE: 26° 10' 37.58" N (NAD83)  
 26.177106 N  
 LONGITUDE: 81° 48' 48.09" W (NAD83)  
 -81.813358 W  
 JURISDICTION: CITY OF NAPLES

SCOPE OF WORK

INSTALLATION OF PROPOSED SMALL CELL EQUIPMENT TO PROPOSED METAL POLE  
 A. INSTALLATION OF 1 ANTENNA  
 B. INSTALLATION OF 1 ENCLOSURE CABINET

CONTACTS

APPLICANT:  
 VERIZON WIRELESS  
 7701 TELECOM PARKWAY EAST  
 TEMPLE TERRACE, FLORIDA 33637  
 (813) 632-5900

SMW ENGINEERING GROUP, INC. ARCHITECT/ENGINEER:  
 13051 N TELECOM PARKWAY, SUITE 100  
 TEMPLE TERRACE, FLORIDA 33637  
 MIKE MURPHY (813) 781-4181

POLE OWNER:  
 VERIZON WIRELESS  
 7701 TELECOM PARKWAY EAST  
 TEMPLE TERRACE, FLORIDA 33637  
 (813) 632-5900

INDEX OF DRAWINGS

SHT. NO.	DESCRIPTION	REV. NO.
T1	TITLE SHEET	2
N1	NOTES	0
S1	SURVEY	0
C1	SITE PLAN W/ AERIAL	0
C2	SITE PLAN	0
C3	ELEVATION & EQUIPMENT PLAN	1
C4	ELECTRICAL EQUIPMENT ALTERNATIVES	1
C5	ENCLOSURE DETAILS	1
C6	ANTENNA DETAILS	0
C7	ANTENNA MOUNTING DETAIL	0
E1	ELECTRICAL / GROUNDING NOTES	0
E2	UTILITY POWER PLAN	2
E2A	TYPICAL CROSS-SECTION (1 OF 2)	2
E2B	TYPICAL CROSS-SECTION (2 OF 2)	2
E3	ELECTRICAL DETAILS	0
E4	PULL-BOX DETAILS	0
E5	UTILITY ROUTING / GROUNDING PLAN	0
MT1	MOT PLAN	0

APPLICABLE CODES

THE CONTRACTOR'S WORK SHALL COMPLY WITH ALL APPLICABLE NATIONAL, STATE, AND LOCAL CODES AS ADOPTED BY THE LOCAL AUTHORITY HAVING JURISDICTION (AHJ) OVER THE LOCATION. THE EDITION OF THE AHJ ADOPTED CODES AND STANDARDS IN EFFECT ON THE DATE OF CONTRACT AWARD SHALL GOVERN THE DESIGN.

- BUILDING CODE: FLORIDA BUILDING CODE (FBC), 7TH EDITION (2020).
- NATIONAL ELECTRICAL CODE: 2017 EDITION.
- ELECTRICAL CODE: NATIONAL FIRE PROTECTION ASSOCIATION (NFPA) 70
- MECHANICAL CODE: MECHANICAL CODE, 7TH EDITION.
- FIRE CODE: FLORIDA FIRE PREVENTION CODE, 7TH EDITION.
- LIFE SAFETY CODE: NFPA-101-2018
- 2017 UTILITY ACCOMMODATION MANUAL (6-30-2017)
- DEPARTMENT OF TRANSPORTATION ADA STANDARDS FOR TRANSPORTATION FACILITIES
- ASCE 7 - 16: ULTIMATE WIND SPEED = 165 MPH  
 RISK CATEGORY = II  
 EXPOSURE = C
- ANSI/ TIA-222-H  
 STRUCTURE CLASS = II  
 TOPOGRAPHIC CATEGORY = 1

THE CONTRACTOR'S WORK SHALL COMPLY WITH THE LATEST EDITION OF THE FOLLOWING STANDARDS; AMERICAN CONCRETE INSTITUTE (ACI) 318-14 BUILDING CODE REQUIREMENTS FOR STRUCTURAL CONCRETE; AMERICAN INSTITUTE OF STEEL CONSTRUCTION (AISC), 14th EDITION; TELECOMMUNICATIONS INDUSTRY ASSOCIATION (TIA) 222-H, STRUCTURAL STANDARDS FOR STEEL ANTENNA TOWER AND ANTENNA SUPPORTING STRUCTURES; TIA-607-B, COMMERCIAL BUILDING GROUNDING AND BONDING REQUIREMENTS FOR TELECOMMUNICATIONS.

INSTITUTE FOR ELECTRICAL AND ELECTRONICS ENGINEERS (IEEE) 81, GUIDE FOR MEASURING EARTH RESISTIVITY, GROUND IMPEDANCE, AND EARTH SURFACE POTENTIALS OF A GROUND SYSTEM; IEEE 1100 (2005) RECOMMENDED PRACTICE FOR POWERING AND GROUNDING OF ELECTRONIC EQUIPMENT.

IEEE C62.41, GUIDE ON THE SURGE ENVIRONMENT IN LOW-VOLTAGE AC POWER CIRCUITS (FOR LOCATION CATEGORY "C3" AND "HIGH SYSTEM EXPOSURE").

TELCORDIA GR-1275, GENERAL INSTALLATION REQUIREMENTS; TELCORDIA GR-1503, COAXIAL CABLE CONNECTIONS; ANSI T1.311, FOR TELECOM - DC POWER SYSTEMS - TELECOM, ENVIRONMENTAL PROTECTION.

CONSTRUCTION SCHEDULE

CONSTRUCTION TO START WITHIN 90 DAYS OF PERMIT APPROVAL  
 CONTRACTOR TO FINALIZE WITHIN 270 DAYS OF PERMIT APPROVAL

APPROVALS

PROPERTY OWNER \_\_\_\_\_  
 RF ENGINEER \_\_\_\_\_  
 CONSTRUCTION \_\_\_\_\_  
 SITE ACQUISITION \_\_\_\_\_  
 ZONING \_\_\_\_\_  
 NETWORK \_\_\_\_\_  
 OPERATIONS \_\_\_\_\_  
 CONTRACTOR \_\_\_\_\_

NAPLES GULF SHORE  
 THE BILLOWS

#9064976

RIGHT-OF-WAY OF GULF SHORE  
 BOULEVARD JUST SOUTH OF  
 HARBOUR DRIVE  
 NAPLES, FLORIDA 34103  
 (COLLIER COUNTY)

SHEET NAME

TITLE SHEET

SHEET NUMBER

T1

1. FOR THE PURPOSES OF THESE CONSTRUCTION DRAWINGS, THE FOLLOWING DEFINITIONS SHALL APPLY:

OWNER - VERIZON WIRELESS  
 ENGINEER - SMW ENGINEERING GROUP, INC.  
 CONTRACTOR - GENERAL CONTRACTOR (CONSTRUCTION)

2. PRIOR TO SUBMITTING HIS BID, THE CONTRACTOR SHALL VISIT THE JOB SITE IN ORDER TO (1) VERIFY ALL EXISTING CONDITIONS, (2) CONFIRM WHETHER ALL DIMENSIONS ARE AS SHOWN ON THE PLANS AND (3) CONFIRM WHETHER THE WORK MAY BE ACCOMPLISHED AS SHOWN. ANY DISCREPANCIES SHALL BE BROUGHT TO THE ATTENTION OF THE CONSTRUCTION MANAGER.
3. A 9-FOOT HORIZONTAL CLEARANCE DISTANCE SHALL BE MAINTAINED FROM ALL EXISTING POWER LINES.
4. THE CONTRACTOR'S USE OF A CONSTRUCTION STAGING AREA SHALL BE COORDINATED WITH THE OWNER WELL IN ADVANCE OF THE CONSTRUCTION START DATE.
5. LABOR, MATERIAL, TOOLS, EQUIPMENT, TRANSPORTATION AND TEMPORARY POWER SERVICES NECESSARY FOR AND INCIDENTAL TO COMPLETION OF ALL WORK SHALL BE PROVIDED AS INDICATED ON THE DRAWINGS AND/OR AS SPECIFIED HEREIN. LABOR AND MATERIALS SHALL BE FURNISHED AS REQUIRED FOR COMPLETE SYSTEMS, INCLUDING ALL ELEMENTS OBVIOUSLY OR REASONABLY INCIDENTAL TO A COMPLETE INSTALLATION, WHETHER OR NOT SPECIFICALLY INDICATED ON THE PLANS.
6. FOR TASKS REQUIRED TO BE PERFORMED BUT NOT CLEARLY DEFINED OR IDENTIFIED BY THE CONTRACT DOCUMENTS, THE CONTRACTOR SHALL NOT START WORK ON SUCH TASKS WITHOUT HAVING RECEIVED WRITTEN AUTHORIZATION FROM THE CONSTRUCTION MANAGER TO PROCEED.
7. THE DRAWINGS ARE DIAGRAMMATIC AND INDICATE THE GENERAL ARRANGEMENT OF SYSTEMS AND EQUIPMENT UNLESS OTHERWISE INDICATED BY DIMENSIONS OR DETAILS. EXACT EQUIPMENT LOCATIONS MAY BE MODIFIED AS REQUIRED BY ACTUAL FIELD CONDITIONS. IF THE SPECIFIED EQUIPMENT CANNOT BE INSTALLED AS SHOWN ON THESE DRAWINGS, CONTRACTOR SHALL PROPOSE AN ALTERNATIVE INSTALLATION FOR APPROVAL BY THE ENGINEER AND THE CONSTRUCTION MANAGER.
8. THE CONTRACTOR SHALL OBTAIN, PAY FOR AND DELIVER ALL REQUIRED PERMITS, CERTIFICATES OF INSPECTION, INCLUDING UTILITY CONNECTION FEES, ETC., REQUIRED BY THE AUTHORITIES HAVING JURISDICTION AND SHALL DELIVER SUCH DOCUMENTS TO THE OWNER PRIOR TO FINAL ACCEPTANCE OF THE WORK.
9. THE CONTRACTOR'S OPERATIONS SHALL BE CONFINED TO AREAS OF NEW CONSTRUCTION.
10. ALL NECESSARY PROVISIONS SHALL BE MADE TO PROTECT EXISTING IMPROVEMENTS, PAVING, CURBS, GALVANIZED SURFACES, ETC. AND THE CONTRACTOR SHALL BE RESPONSIBLE FOR ANY DAMAGE TO SAME RESULTING FROM THE CONSTRUCTION WORK. ALL DISTURBED AND DAMAGED AREAS SHALL BE RESTORED TO THEIR ORIGINAL CONDITION OR BETTER UPON COMPLETION OF ALL WORK TO THE SATISFACTION OF THE CONSTRUCTION MANAGER.
11. THE FOLLOWING CLEANUP TASKS SHALL BE PERFORMED AS FOLLOWS: (1) ON A DAILY BASIS, KEEP THE GENERAL AREA CLEAN AND HAZARD FREE, REMOVING ALL WASTE, DEBRIS AND TRASH FROM THE SITE AND DISPOSING OF SAME IN A LEGAL MANNER. (2) UPON COMPLETION, LEAVE THE PREMISES IN A CLEAN CONDITION AND FREE FROM PAINT SPOTS, DUST, OR SMUDGES OF ANY NATURE.
12. ALL EQUIPMENT AND MATERIALS SHALL BE INSTALLED IN ACCORDANCE WITH THE RESPECTIVE MANUFACTURER'S RECOMMENDATIONS EXCEPT WHERE IT IS SPECIFICALLY INDICATED OTHERWISE IN THE CONTRACT DOCUMENTS OR WHERE LOCAL CODES OR REGULATIONS TAKE PRECEDENCE.
13. ALL WORK PERFORMED AND MATERIALS INSTALLED SHALL BE IN STRICT ACCORDANCE WITH ALL APPLICABLE CODES, REGULATIONS AND ORDINANCES. THE CONTRACTOR SHALL GIVE ALL NOTICES AND COMPLY WITH ALL LAWS, ORDINANCES, RULES, REGULATIONS AND LAWFUL ORDERS OF ANY PUBLIC AUTHORITY HAVING JURISDICTION OVER THE PERFORMANCE OF THE WORK. MECHANICAL AND ELECTRICAL SYSTEMS SHALL BE INSTALLED IN ACCORDANCE WITH ALL APPLICABLE MUNICIPAL AND UTILITY COMPANY SPECIFICATIONS AS WELL AS LOCAL AND STATE CODES, ORDINANCES AND APPLICABLE REGULATIONS.
14. THE CONTRACTOR SHALL SUPERVISE AND DIRECT THE WORK AT ALL TIMES, USING THE BEST SKILLS AND ATTENTION. HE SHALL BE SOLELY RESPONSIBLE FOR ALL OF THE CONSTRUCTION MEANS, METHODS, TECHNIQUES, SEQUENCES AND PROCEDURES AND FOR COORDINATING ALL PORTIONS OF THE WORK, INCLUDING CONTACT AND COORDINATION WITH THE CONSTRUCTION MANAGER AND WITH THE OWNER'S AUTHORIZED REPRESENTATIVE.
15. WITHIN TEN (10) WORKING DAYS AFTER PROJECT COMPLETION, THE CONTRACTOR SHALL PROVIDE A COMPLETE SET OF AS-BUILT DRAWINGS, SWEEP TEST, CYLINDER TESTS, LIEN RELEASES, AND OTHER CLOSEOUT DOCUMENTATION AS REQUIRED BY THE OWNER. ALL SYSTEMS SHALL BE COMPLETELY ASSEMBLED, TESTED, ADJUSTED AND DEMONSTRATED TO BE READY FOR OPERATION PRIOR TO THE OWNER'S ACCEPTANCE.
16. THE PROPOSED INSTALLATION WILL NOT:
  - INTERFERE WITH THE SAFE OPERATION OF TRAFFIC CONTROL EQUIPMENT;
  - INTERFERE WITH SIGHT LINES OR CLEAR ZONES FOR TRANSPORTATION, PEDESTRIANS, OR PUBLIC SAFETY PURPOSES;
  - INTERFERE WITH COMPLIANCE WITH THE AMERICANS WITH DISABILITIES ACT OR SIMILAR FEDERAL OR STATE STANDARDS
 VERIZON WIRELESS MEETS ALL FCC'S PLANNING IN REGARDS TO FREQUENCY AND POWER ASSIGNMENTS. THIS TAKES INTO ACCOUNT PUBLIC SAFETY AS WELL AS COMMERCIAL DEPLOYMENTS OF WIRELESS SYSTEMS. IN DOING SO, ISSUES WITH INTERFERENCE ARE VERY RARE BY DESIGN AND VERIZON WIRELESS ADHERES, TO ESTABLISHED FCC PROCEDURES SHOULD ANYTHING ARISE.

GENERAL NOTES

1

1. THE APPROPRIATE UTILITY LOCATING SERVICES SHALL BE CONTACTED PRIOR TO THE START OF CONSTRUCTION IN ORDER TO VERIFY THE EXACT LOCATION OF ALL EXISTING UNDERGROUND UTILITIES.
2. THE INSTALLATION OF NEW UTILITIES SHALL BE COORDINATED WITH LOCAL AUTHORITIES.
3. ALL EXISTING ACTIVE SEWER, WATER, GAS, ELECTRIC AND OTHER UTILITIES, WHERE ENCOUNTERED IN THE WORK, SHALL BE PROTECTED AT ALL TIMES. WHERE REQUIRED FOR THE PROPER EXECUTION OF THE WORK, SUCH UTILITIES SHALL BE RELOCATED AS DIRECTED BY THE CONSTRUCTION MANAGER. EXTREME CAUTION SHALL BE USED WHEN EXCAVATING OR DRILLING PIERS AROUND OR NEAR UTILITIES.
4. RUBBISH, STUMPS, DEBRIS, STICKS, STONES AND OTHER REFUSE SHALL BE REMOVED FROM THE SITE AND DISPOSED OF LEGALLY.
5. ALL EXISTING INACTIVE SEWER, WATER, STORM WATER, GAS, ELECTRIC AND OTHER UTILITIES THAT INTERFERE WITH THE EXECUTION OF THE WORK SHALL BE REMOVED AND/OR CAPPED, PLUGGED OR OTHERWISE DISCONTINUED AT POINTS THAT WILL NOT INTERFERE WITH THE EXECUTION OF THE WORK, SUBJECT TO THE APPROVAL OF THE LANDLORD AND/OR LOCAL UTILITIES.
6. DISTURBANCE TO THE EXISTING SITE DURING CONSTRUCTION SHALL BE MINIMIZED.
7. ANY AREAS OF THE CONSTRUCTION SITE DISTURBED BY THE WORK AND NOT COVERED BY THE TOWER, EQUIPMENT OR DRIVEWAY, SHALL BE GRADED TO A UNIFORM SLOPE. SUCH GRADING SHALL CAUSE SURFACE WATER TO FLOW AWAY FROM ANY EQUIPMENT SHELTER AND TOWER AREAS AND THE SOIL SHALL BE STABILIZED TO PREVENT EROSION. EROSION CONTROL MEASURES, IF REQUIRED DURING CONSTRUCTION, SHALL BE IN CONFORMANCE WITH THE LOCAL GUIDELINES FOR EROSION AND SEDIMENT CONTROL.
8. THE SUB-GRADE SHALL BE COMPACTED AND BROUGHT TO A UNIFORM GRADE PRIOR TO FINISHED SURFACE APPLICATION.
9. BACKFILL SHALL CONSIST OF CLEAN SAND FILL APPROVED FOR USE BY THE ENGINEER. NO UNAPPROVED MATERIAL WILL BE ALLOWED. CLEAN SAND FILL SHALL BE FREE OF ALL ROOTS, BOULDERS, OR OTHER DELETERIOUS MATERIAL.
10. THE CONTRACTOR SHALL RESTORE ALL DISTURBED AREAS TO EQUAL TO OR BETTER CONDITION THAN ORIGINAL.
11. SITE SIGNAGE SHALL BE PROVIDED IN ACCORDANCE WITH THE TECHNICAL SPECIFICATIONS FOR SUCH SIGNAGE AS MAY BE CONTAINED IN THESE DRAWINGS.

SITE WORK NOTES

2

1. **MATERIAL:**
  - A. ALL STRUCTURAL STEEL WORK SHALL CONFORM TO THE LATEST EDITION OF THE AISC "STEEL CONSTRUCTION MANUAL".
  - B. ALL STRUCTURAL STEEL WF BEAMS SHALL BE ASTM A992 AND "HOT DIPPED" GALVANIZED IN ACCORDANCE WITH ASTM A123 AND ASTM A153 STANDARDS.
  - C. ALL STRUCTURAL PLATES, ANGLES, AND CHANNELS SHALL BE ASTM A36 AND "HOT DIPPED" GALVANIZED IN ACCORDANCE WITH ASTM A123 AND ASTM A153 STANDARDS.
  - D. ALL HSS/TS MEMBERS SHALL BE ASTM A500 GRADE B (Fy=46ksi), AND "HOT DIPPED" GALVANIZED IN ACCORDANCE WITH ASTM A123 AND ASTM A153 STANDARDS.
  - E. ALL STRUCTURAL PIPE MEMBERS SHALL BE ASTM A500 GRADE B (Fy=42ksi), AND "HOT DIPPED" GALVANIZED IN ACCORDANCE WITH ASTM A123 AND ASTM A153 STANDARDS.
  - F. ALL NON-STRUCTURAL PIPE MEMBERS SHALL BE ASTM A53 GRADE B, AND "HOT DIPPED" GALVANIZED IN ACCORDANCE WITH ASTM A123 AND ASTM A153 STANDARDS.
2. DESIGN, FABRICATION, AND CONSTRUCTION OF ALL CONNECTIONS SHALL CONFORM TO AISC STEEL CONSTRUCTION MANUAL.
3. **WELDING:**
  - A. ALL WELDS, WELDERS, AND WELD INSPECTIONS SHALL CONFORM TO THE REQUIREMENTS OF AWS D 1.1, LATEST REVISION.
  - B. ALL WELDS SHALL BE MADE WITH E70XX LOW HYDROGEN ELECTRODES.
  - C. ALL STEEL SHALL BE SPRAY GALVANIZED AFTER WELDING.
4. ALL BOLTS SHALL BE GALVANIZED 3/4" DIAMETER, A325-N, UNLESS NOTED OTHERWISE AND TIGHTENED TO A "SNUG TIGHT" CONDITION AS DEFINED BY AISC. SECURE NUT WITH LOCKING WASHER.
5. ANCHOR BOLTS SHALL CONFORM TO ASTM A307, UNLESS NOTED OTHERWISE.
6. THE CONTRACTOR/STEEL FABRICATOR SHALL LOCATE ANY REINFORCEMENT IN THE STRUCTURAL MEMBERS IN SUCH A MANNER SO THAT THERE WILL NOT BE CONFLICT WITH THE REINFORCEMENT WHEN INSTALLING ANCHORS. THE ANCHORS SHALL BE INSTALLED PER THE MANUFACTURER'S INSTRUCTION.
7. THE CONTRACTOR/STEEL FABRICATOR SHALL CONFORM TO THE MINIMUM EDGE DISTANCE REQUIREMENTS IN ACCORDANCE WITH THE AISC MANUAL OF STEEL CONSTRUCTION.
8. ALL STRUCTURAL STEEL SHALL BE FABRICATED TO FIT AT BOLTED CONNECTIONS WITHIN 1/8 INCH TOLERANCE. STRUCTURAL STEEL SHALL NOT BE FLAME CUT UNDER ANY CIRCUMSTANCES WITHOUT APPROVAL OF THE ENGINEER.
9. THE CONTRACTOR/STEEL FABRICATOR SHALL CAP OR SEAL ALL PIPES AS REQUIRED TO PREVENT RAINWATER INTRUSION.
10. THE CONTRACTOR/STEEL FABRICATOR SHALL SUBMIT SHOP DRAWINGS FOR REVIEW PRIOR TO ANY STEEL FABRICATION. AT THE CONTRACTOR'S OPTION, FIELD SPLICES MAY BE USED FOR ERECTION PURPOSES. IF FIELD SPLICES ARE USED, THE SHOP DRAWINGS SHALL INCLUDE ALL DETAILS FOR THE PROPOSED FIELD SPLICES.
11. AT THE CONTRACTOR'S OPTION, SHOP WELDS MAY BE USED INSTEAD OF FIELD WELDS.
12. SUBMIT ORIGINAL SHOP DRAWINGS, INCLUDING COMPLETE DETAILS, SCHEDULES OF FABRICATION AND ASSEMBLY, PROCEDURES, AND DIAGRAMS. INCLUDE DETAILS OF CUTS, CONNECTIONS, CAMBER, HOLE, AND OTHER PERTINENT DATA. INDICATE WELDS BY STANDARD AWS A2.1 AND A2.4 SYMBOLS, AND SHOW SIZE, LENGTH, AND TYPE OF WELD. PROVIDE SETTING DRAWINGS, TEMPLATES, AND DIRECTIONS FOR INSTALLATION OF ANCHOR BOLTS AND OTHER ANCHORAGES TO BE INSTALLED AS WORK OF OTHERS' SECTIONS.

STRUCTURAL STEEL NOTES

3

REV	DATE	DESCRIPTION
0	06/06/23	FINAL PLANS ISSUED

PROJECT NO.: 17-5526

DRAWN BY: J.MENDEZ

PROJECT MANAGER: M. MURPHY

CHECKED BY: M. MURPHY

THIS DRAWING IS COPYRIGHTED AND IS THE SOLE PROPERTY OF THE OWNER. IT IS PRODUCED SOLELY FOR USE BY THE OWNER AND ITS AFFILIATES. REPRODUCTION OR USE OF THIS DRAWING AND/OR THE INFORMATION CONTAINED IN IT IS FORBIDDEN WITHOUT THE WRITTEN PERMISSION OF THE OWNER.



13051 TELECOM PARKWAY, SUITE 100  
 TEMPLE TERRACE, FLORIDA 33637  
 (813) 615-1422

CERTIFICATE OF AUTHORIZATION 28767



THIS DOCUMENT HAS BEEN ELECTRONICALLY SIGNED AND SEALED BY JEREMY D. SHARIT, PE (#75137) USING A DIGITAL SIGNATURE IN ACCORDANCE WITH F.A.C. 61G15-23.004, WITH A DIGITAL CERTIFICATE ISSUED BY ENTRUST, INC. PLEASE REFERENCE SHEET T1 TO VIEW THE SIGNATURE AND VERIFY ITS PROPERTIES. PRINTED COPIES OF THIS DOCUMENT ARE NOT CONSIDERED SIGNED AND SEALED AND THE SIGNATURE MUST BE VERIFIED ON ANY ELECTRONIC COPIES.

NAPLES GULF SHORE  
 THE BILLOWS  
 #9064976

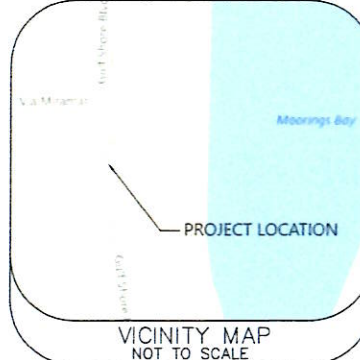
RIGHT-OF-WAY OF GULF SHORE  
 BOULEVARD JUST SOUTH OF  
 HARBOUR DRIVE  
 NAPLES, FLORIDA 34103  
 (COLLIER COUNTY)

SHEET NAME

NOTES

SHEET NUMBER

N1



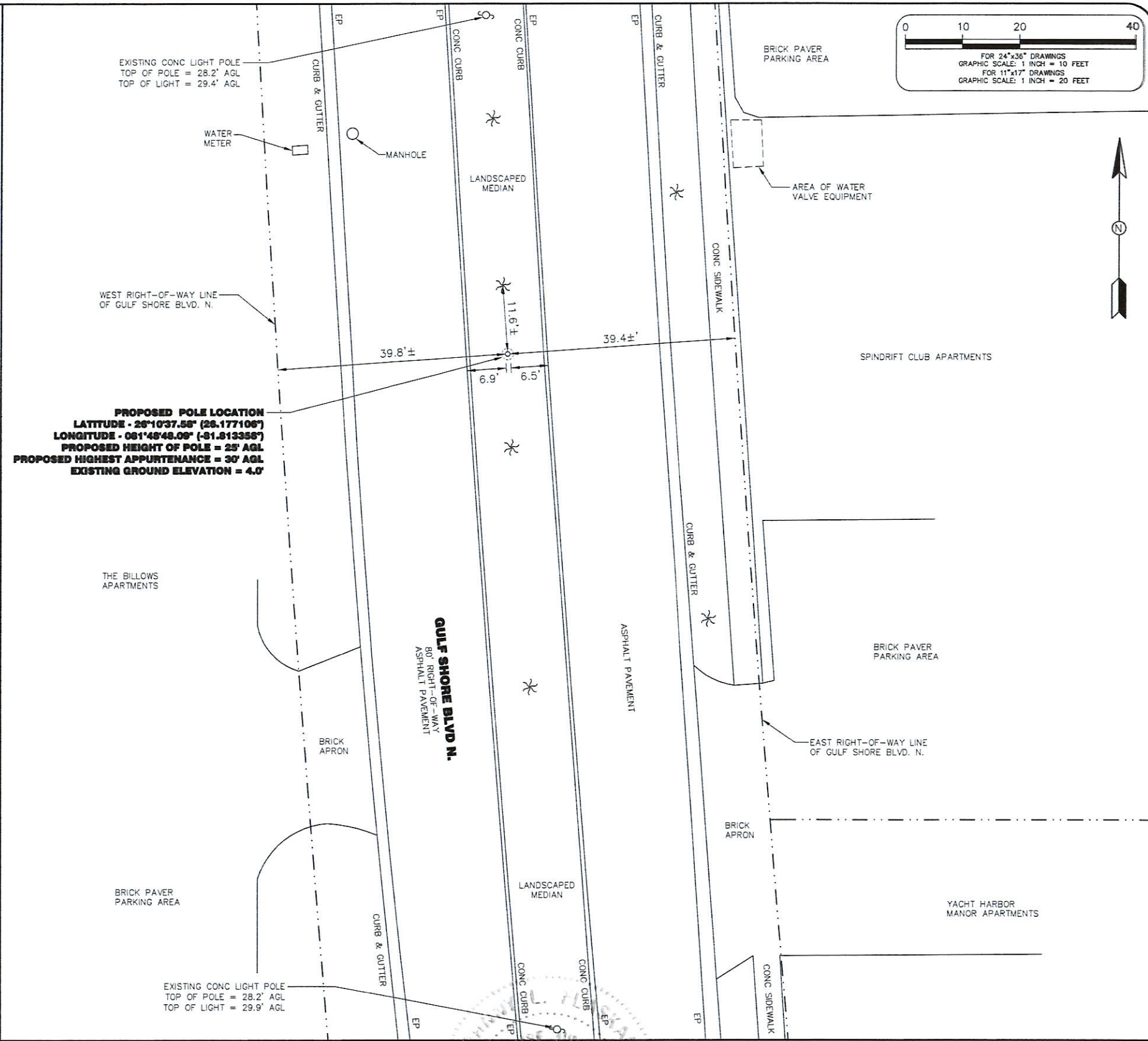
**SURVEYOR'S NOTES:**

1. THIS SURVEY WAS PERFORMED ON THE GROUND ON AUGUST 12, 2017 UNDER THE SUPERVISION OF A FLORIDA PROFESSIONAL SURVEYOR & MAPPER.
2. THE SUBJECT PROJECT AREA APPEARS TO BE WITHIN ZONE "VE", MAP NUMBER 12021C0387H, COMMUNITY NUMBER 125130, PANEL NUMBER 0387, SUFFIX H WITH AN EFFECTIVE DATE OF 05/16/2012. HAVING A BASE FLOOD ELEVATION OF 12' (NORTH AMERICAN VERTICAL DATUM OF 1988').
3. ALL DIMENSIONS SHOWN ARE IN FEET AND DECIMAL PARTS THEREOF.
4. THIS SURVEY DOES NOT REFLECT OR DETERMINE OWNERSHIP.
5. NO UTILITIES (UNDERGROUND OR ABOVE-GROUND) WERE LOCATED EXCEPT AS SHOWN HEREON.
6. NO SEARCH FOR VISIBLE EVIDENCE OF EXISTING OR FORMER AREAS OF FACILITIES WHICH MAY HAVE INVOLVED THE USE OF STORAGE OF HAZARDOUS MATERIALS WAS MADE.
7. NO WETLAND AREAS OR JURISDICTIONAL WETLANDS WERE LOCATED OR ARE SHOWN ON THIS SURVEY.
8. THIS SURVEY WAS PREPARED WITHOUT THE BENEFIT OF A TITLE COMMITMENT; NO ABSTRACT EXAMINATION IS IMPLIED.
9. INFORMATION SHOWN HEREON MAY BE SUBJECT TO EASEMENTS, RESTRICTIONS AND RESERVATIONS OF RECORD.
10. REPRODUCTIONS OF THIS SURVEY ARE NOT VALID UNLESS SIGNED AND SEALED.
11. ADDITIONS OR DELETIONS TO THIS SURVEY MAP BY ANY OTHER THAN THE SIGNING SURVEYOR ARE PROHIBITED WITHOUT THE WRITTEN CONSENT OF THE SURVEYOR OF RECORD.
12. THIS SURVEY WAS CREATED TO SHOW THE PROPOSED LOCATION OF A POLE STRUCTURE ALONG WITH DEPICTING THE RIGHT-OF-WAY LINES OF GULF SHORE BLVD. N., AND TOPOGRAPHIC LOCATION OF IMPROVEMENTS WITHIN AN AREA DETERMINED BY CLIENT TO HELP IN THEIR DESIGN OF A TELECOMMUNICATIONS STRUCTURE.
13. THE SYMBOL SHOWN FOR THE PROPOSED POLE IS SHOWN AS A 10" DIAMETER POLE CENTERED ON A 2' DIAMETER FOUNDATION. ALL DIMENSIONS SHOWN ARE TO THE EDGE OF THE 10" DIAMETER PROPOSED POLE.
14. THIS SURVEY MAP IS INTENDED TO BE DISPLAYED AT A SCALE OF 1 INCH = 10 FEET FOR 24"x36" DRAWINGS AND 1 INCH = 20 FEET FOR 11"x17" DRAWINGS OR SMALLER.
15. THE COORDINATES SHOWN HEREON ARE IN NORTH AMERICAN DATUM OF 1983, IS TO THE THIRD ORDER OF ACCURACY, AND IS BASED ON MULTI FREQUENCY GNSS CORRECTIONS OBTAINED FROM THE FLORIDA DEPARTMENT OF TRANSPORTATION FLORIDA PERMANENT REFERENCE NETWORK (FPRN).
16. THE ELEVATIONS SHOWN HEREON ARE IN NORTH AMERICAN VERTICAL DATUM OF 1988, IS TO THE THIRD ORDER OF ACCURACY, AND IS BASED ON MULTI FREQUENCY GNSS CORRECTIONS OBTAINED FROM THE FLORIDA DEPARTMENT OF TRANSPORTATION FLORIDA PERMANENT REFERENCE NETWORK (FPRN). (ELEVATIONS HAVE BEEN ROUNDED TO THE NEAREST FOOT PER CLIENTS REQUEST).

**LEGEND:**

- (C) = CALCULATED
- (F) = FIELD
- (P) = PLAT
- (D) = DEED
- FIR = FOUND IRON ROD
- FIP = FOUND IRON PIPE
- F.D.O.T. = FLORIDA DEPARTMENT OF TRANSPORTATION
- NO. = NUMBER
- LB = LICENSED BUSINESS
- RCP = REINFORCED CONCRETE PIPE
- INV = INVERT
- TPED = TELEPHONE PEDESTAL
- TSV = TRAFFIC SIGNAL VAULT
- TOB = TOP OF BANK
- EP = EDGE OF PAVEMENT
- AGL = ABOVE GROUND LEVEL
- CONC = CONCRETE
- ELEV = ELEVATION
- SCR = SET IRON ROD & CAP
- T = TOWNSHIP
- R = RANGE
- O.R. = OFFICIAL RECORDS
- N.C.S. = NO CORNER FOUND OR SET
- ID = IDENTIFICATION
- W/ = WITH
- MES = MITERED END SECTION
- TYP. = TYPICAL
- PREFAB = PREFABRICATED
- CLF = CHAIN LINK FENCE
- = OVERHEAD LINE
- = UTILITY POLE

REVISIONS			
5	CHANGED PROPOSED POLE HEIGHTS PER CLIENTS REQUEST. NO FIELD WORK WAS PERFORMED AS PART OF THIS REVISION.	JLF	6/6/23
REVISIONS			
1	CHANGED SITE ADDRESS PER CLIENTS REQUEST. NO FIELD WORK WAS PERFORMED AS PART OF THIS REVISION.	JLF	10/4/17
2	CHANGED THE PROPOSED POLE SYMBOL AND SITE ADDRESS PER CLIENTS REQUEST. NO FIELD WORK WAS PERFORMED AS PART OF THIS REVISION.	JLF	5/23/19
3	CHANGED PROPOSED POLE HEIGHTS PER CLIENTS REQUEST. NO FIELD WORK WAS PERFORMED AS PART OF THIS REVISION.	JLF	6/14/19
4	UPDATED SURVEY PER CURRENT FIELD CONDITIONS	JLF	4/25/23



**SPECIFIC PURPOSE SURVEY OF PROPOSED POLE LOCATION AND TOPOGRAPHIC LOCATION OF IMPROVEMENTS**

PREPARED FOR:

**7701 E. TELECOM PARKWAY  
 TEMPLE TERRACE, FLORIDA 33637**

NOT VALID WITHOUT THE SIGNATURE AND SEAL OF A FLORIDA LICENSED SURVEYOR & MAPPER.

**JOHNNY L. FLASKAMP**  
 FLORIDA PROFESSIONAL SURVEYOR & MAPPER NO. 6601

**DRAWING INFORMATION:**

FIELD DATE:	08-12-2017
DRAWN DATE:	09-03-2017
CHECK DATE:	09-03-2017
SEC.-TWP.-RGE.:	28-49S-25E

**SITE INFORMATION:**

**9064976 NAPLES GULF SHORE THE BILLOWS**

RIGHT-OF-WAY OF GULF SHORE BOULEVARD  
 JUST SOUTH OF HARBOUR DRIVE  
 NAPLES, FLORIDA 34103

SMW PROJECT NUMBER:	17-5526
SURVEY SHEET	1 OF 1

16' 0' 8' 16'

FOR 24"x36" DRAWINGS  
 GRAPHIC SCALE: 1/8" = 1'-0"  
 FOR 11"x17" DRAWINGS  
 GRAPHIC SCALE: 1/16" = 1'-0"

**FLOOD NOTE:**

- THE SUBJECT PROJECT AREA APPEARS TO BE WITHIN ZONE "VE", MAP NUMBER 12021C0387H, COMMUNITY NUMBER 125130, PANEL NUMBER 0387, SUFFIX H WITH AN EFFECTIVE DATE OF 05/16/2012. HAVING A BASE FLOOD ELEVATION OF 12', (NORTH AMERICAN VERTICAL DATUM OF 1988').

**KEY:**

- v— WATER MAIN
- - - RECLAIMED WATER LINE
- sw- STORMWATER MAIN
- san- SANITARY GRAVITY MAIN

REV	DATE	DESCRIPTION
0	06/06/23	FINAL PLANS ISSUED
1	07/19/23	REVISED PER COMMENTS



**PROPOSED POLE LOCATION**  
 LATITUDE - 26°10'37.58" (26.177106)  
 LONGITUDE - 081°48'48.09" (-81.813358)  
 PROPOSED HEIGHT OF POLE = 25' AGL  
 PROPOSED HIGHEST APPURTENANCE = 30' AGL  
 EXISTING GROUND ELEVATION = 4'

**CONSTRUCTION NOTE:**

ANY CONSTRUCTION AT THE SITE WILL USE BEST MANAGEMENT PRACTICES INCLUDING SOIL EROSION CONTROL MEASURES, AS ALSO REQUIRED BY LOCAL JURISDICTION, AND NOTED ON THE CONSTRUCTION DRAWING.

**NOTES:**

- CONTRACTOR SHALL RESTORE AND REPAIR ANY DAMAGED AREAS CAUSED BY CONSTRUCTION TO ORIGINAL OR BETTER CONDITION.
- ALL NEW WORK TO BE PERFORMED PER LATEST VERIZON WIRELESS STANDARDS & SPECIFICATIONS.

THIS DRAWING IS COPYRIGHTED AND IS THE SOLE PROPERTY OF THE OWNER. IT IS PRODUCED SOLELY FOR USE BY THE OWNER AND ITS AFFILIATES. REPRODUCTION OR USE OF THIS DRAWING AND/OR THE INFORMATION CONTAINED IN IT IS FORBIDDEN WITHOUT THE WRITTEN PERMISSION OF THE OWNER.

**SNW**  
 ENGINEERING GROUP, INC.

TOGETHER PLANNING A BETTER TOMORROW

13051 TELECOM PARKWAY, SUITE 100  
 TEMPLE TERRACE, FLORIDA 33637  
 (813) 615-1422

CERTIFICATE OF AUTHORIZATION 28767

**verizon**

7701 TELECOM PARKWAY EAST  
 TEMPLE TERRACE, FLORIDA 33637

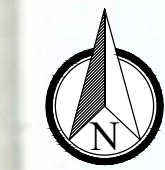
THIS DOCUMENT HAS BEEN ELECTRONICALLY SIGNED AND SEALED BY JEREMY D. SHARIT, PE (#75137) USING A DIGITAL SIGNATURE IN ACCORDANCE WITH F.A.C. 61G15-23.004, WITH A DIGITAL CERTIFICATE ISSUED BY ENTRUST, INC. PLEASE REFERENCE SHEET T1 TO VIEW THE SIGNATURE AND VERIFY ITS PROPERTIES. PRINTED COPIES OF THIS DOCUMENT ARE NOT CONSIDERED SIGNED AND SEALED AND THE SIGNATURE MUST BE VERIFIED ON ANY ELECTRONIC COPIES.

**NAPLES GULF SHORE  
 THE BILLOWS  
 #9064976**

RIGHT-OF-WAY OF GULF SHORE BOULEVARD JUST SOUTH OF HARBOUR DRIVE  
 NAPLES, FLORIDA 34103  
 (COLLIER COUNTY)





**SHEET NAME**  
 SITE PLAN  
 W/ AERIAL

**SHEET NUMBER**  
 C1



16' 0' 8' 16'  
 FOR 24"x36" DRAWINGS  
 GRAPHIC SCALE: 1/8" = 1'-0"  
 FOR 11"x17" DRAWINGS  
 GRAPHIC SCALE: 1/16" = 1'-0"


**FLOOD NOTE:**  
 • THE SUBJECT PROJECT AREA APPEARS TO BE WITHIN ZONE "VE", MAP NUMBER 12021C0387H, COMMUNITY NUMBER 125130, PANEL NUMBER 0387, SUFFIX H WITH AN EFFECTIVE DATE OF 05/16/2012. HAVING A BASE FLOOD ELEVATION OF 12', (NORTH AMERICAN VERTICAL DATUM OF 1988').

**KEY:**  
 WATER MAIN  
 RECLAIMED WATER LINE  
 STORMWATER MAIN  
 SANITARY GRAVITY MAIN

REV	DATE	DESCRIPTION
0	06/06/23	FINAL PLANS ISSUED
1	07/19/23	REVISED PER COMMENTS

PROJECT NO.: 17-5526  
 DRAWN BY: J.MENDEZ  
 PROJECT MANAGER: M. MURPHY  
 CHECKED BY: M. MURPHY

THIS DRAWING IS COPYRIGHTED AND IS THE SOLE PROPERTY OF THE OWNER. IT IS PRODUCED SOLELY FOR USE BY THE OWNER AND ITS AFFILIATES. REPRODUCTION OR USE OF THIS DRAWING AND/OR THE INFORMATION CONTAINED IN IT IS FORBIDDEN WITHOUT THE WRITTEN PERMISSION OF THE OWNER.



ENGINEERING GROUP, INC.  
 TOGETHER PLANNING A BETTER TOMORROW

13051 TELECOM PARKWAY, SUITE 100  
 TEMPLE TERRACE, FLORIDA 33637  
 (813) 615-1422

CERTIFICATE OF AUTHORIZATION 28767



7701 TELECOM PARKWAY EAST  
 TEMPLE TERRACE, FLORIDA 33637

THIS DOCUMENT HAS BEEN ELECTRONICALLY SIGNED AND SEALED BY JEREMY D. SHARIT, PE (#75137) USING A DIGITAL SIGNATURE IN ACCORDANCE WITH F.A.C. 61G15-23.004, WITH A DIGITAL CERTIFICATE ISSUED BY ENTRUST, INC. PLEASE REFERENCE SHEET T1 TO VIEW THE SIGNATURE AND VERIFY ITS PROPERTIES. PRINTED COPIES OF THIS DOCUMENT ARE NOT CONSIDERED SIGNED AND SEALED AND THE SIGNATURE MUST BE VERIFIED ON ANY ELECTRONIC COPIES.

NAPLES GULF SHORE  
 THE BILLOWS  
 #9064976

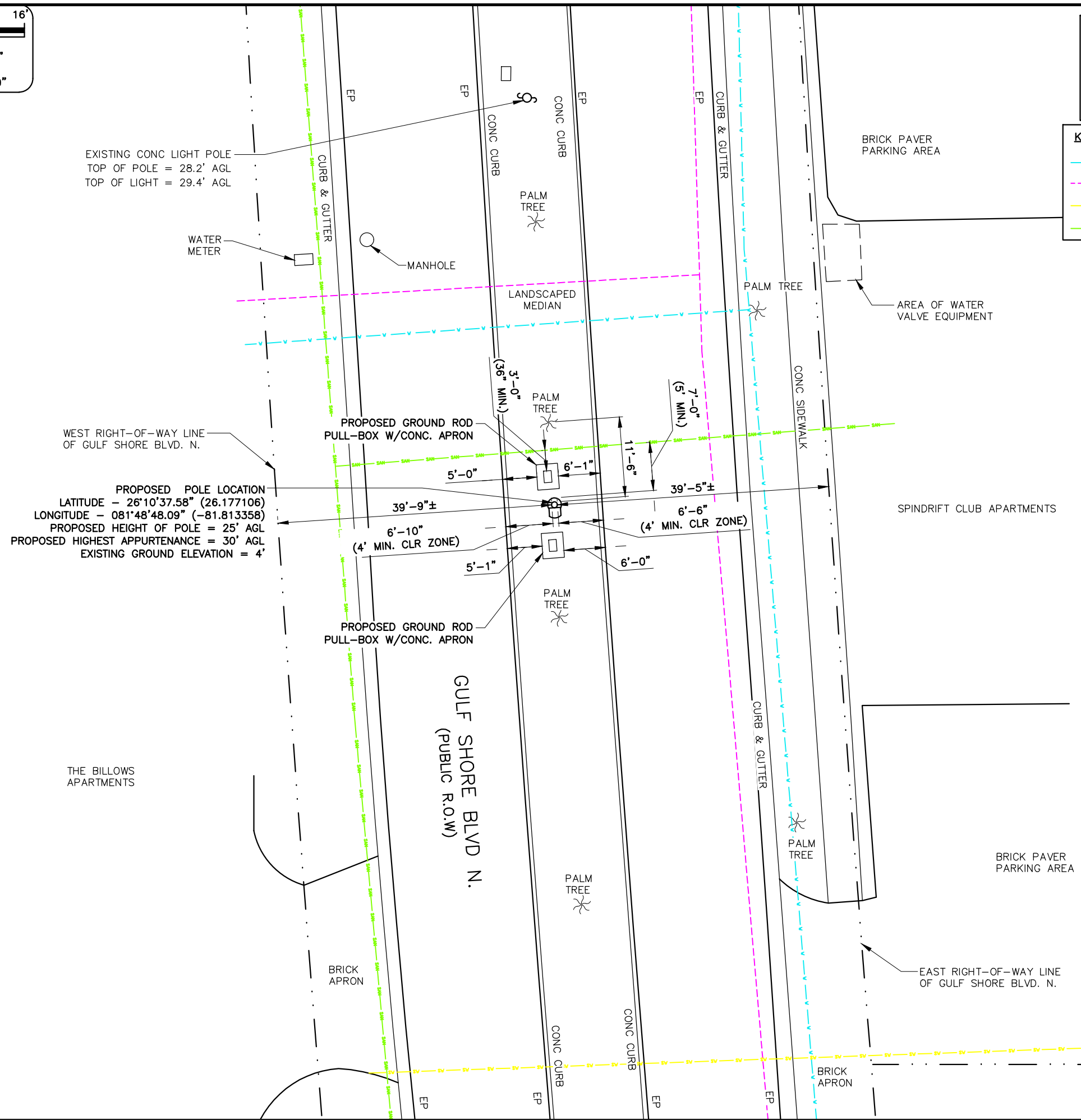
RIGHT-OF-WAY OF GULF SHORE BOULEVARD JUST SOUTH OF HARBOUR DRIVE  
 NAPLES, FLORIDA 34103  
 (COLLIER COUNTY)

SHEET NAME  
 SITE PLAN

SHEET NUMBER  
 C2



SITE PLAN



**CONSTRUCTION NOTE:**  
 ANY CONSTRUCTION AT THE SITE WILL USE BEST MANAGEMENT PRACTICES INCLUDING SOIL EROSION CONTROL MEASURES, AS ALSO REQUIRED BY LOCAL JURISDICTION, AND NOTED ON THE CONSTRUCTION DRAWING.

**NOTES:**  
 • CONTRACTOR SHALL RESTORE AND REPAIR ANY DAMAGED AREAS CAUSED BY CONSTRUCTION TO ORIGINAL OR BETTER CONDITION.  
 • ALL NEW WORK TO BE PERFORMED PER LATEST VERIZON WIRELESS STANDARDS & SPECIFICATIONS.

SCALE AS NOTED 1

4' 0' 2' 4'

FOR 24"x36" DRAWINGS  
 GRAPHIC SCALE: 3/8" = 1'-0"  
 FOR 11"x17" DRAWINGS  
 GRAPHIC SCALE: 3/16" = 1'-0"

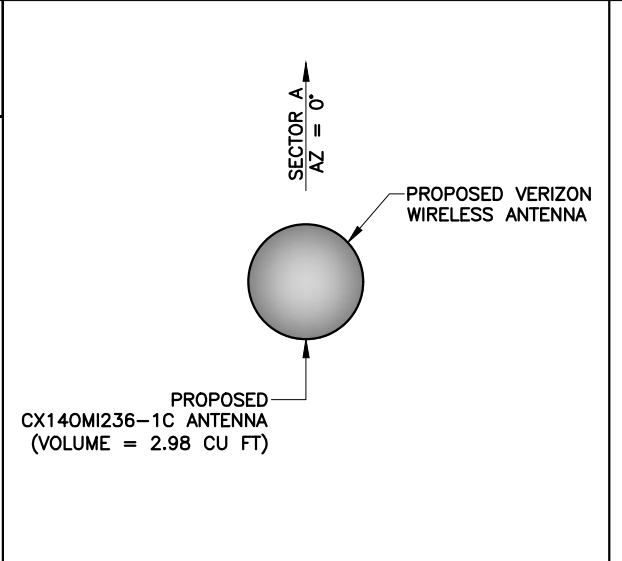
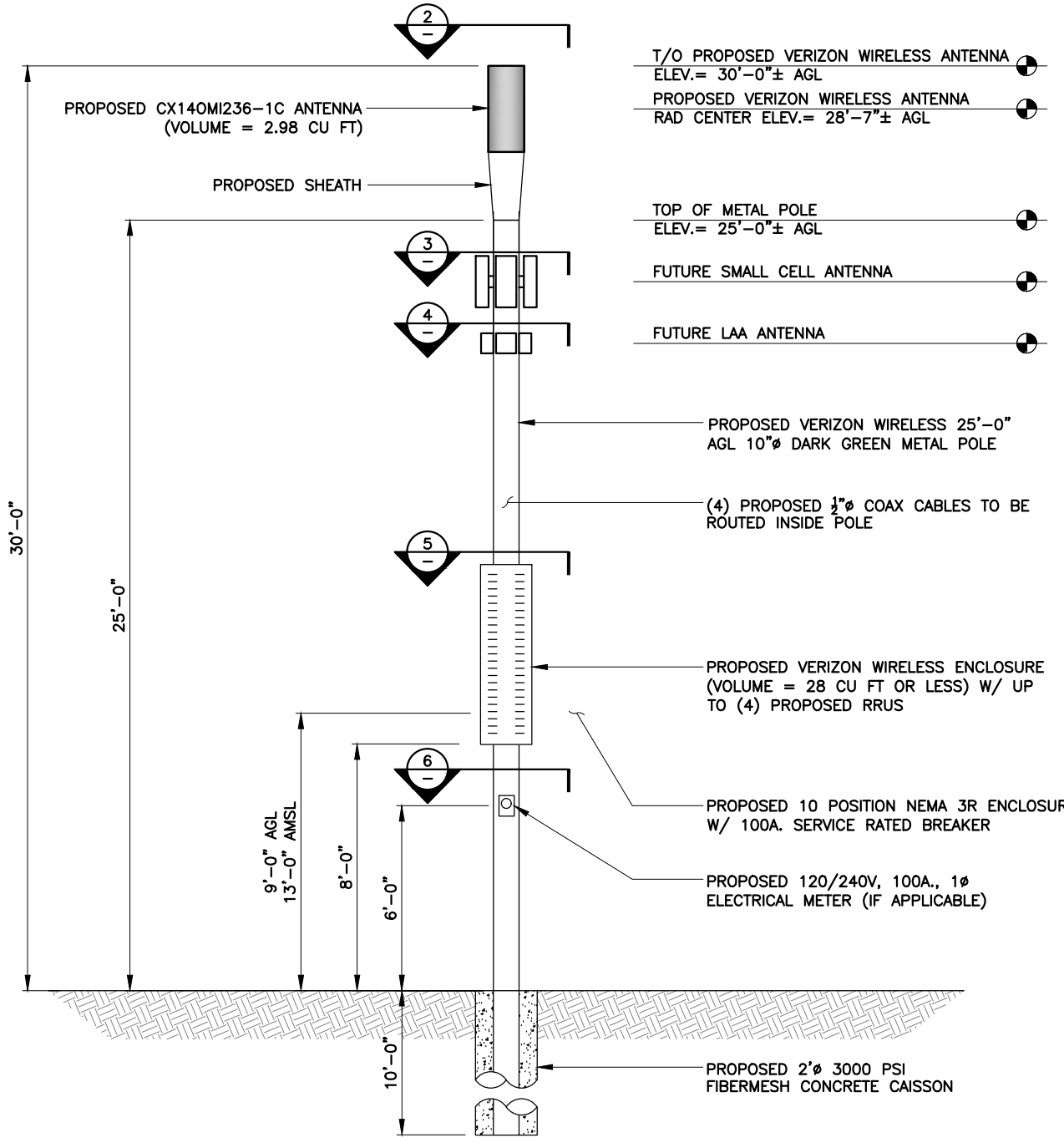
POLE WILL BE PAINTED DARK GREEN AND AS REGULAR MAINTENANCE OCCURS, IF AFFECTED BY WEATHER/WEAR AND TEAR WILL BE REPAINTED TO UPKEEP QUALITY OF AESTHETICS.

ALL ATTACHED HARDWARE AND EQUIPMENT TO BE DARK GREEN IN COLOR. ANTENNA, SHROUD, EQUIPMENT CABINET, METER & DISCONNECT.

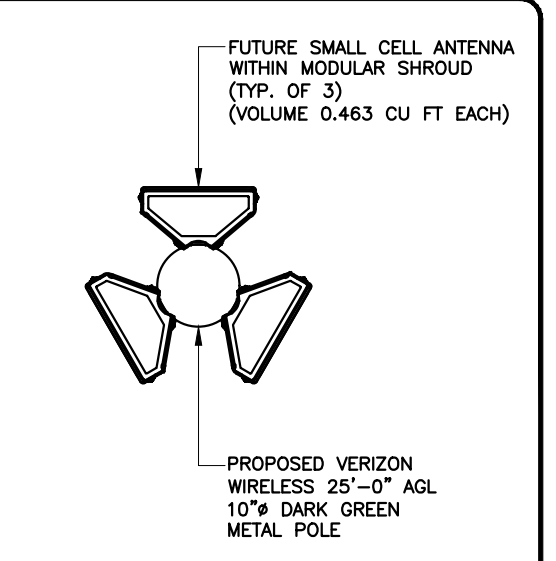
ALL ELECTRICAL LINES EXTENDING VERTICALLY FROM PROPOSED METER TO BE ROUTED INSIDE THE POLE IN WATERPROOF FLEXIBLE LIQUID-TIGHT ELECTRICAL CONDUIT, OR APPROVED EQUAL. PROPOSED DISCONNECT TO BE IN A WATER PROTECTED ENCLOSURE.

**NOTE:**

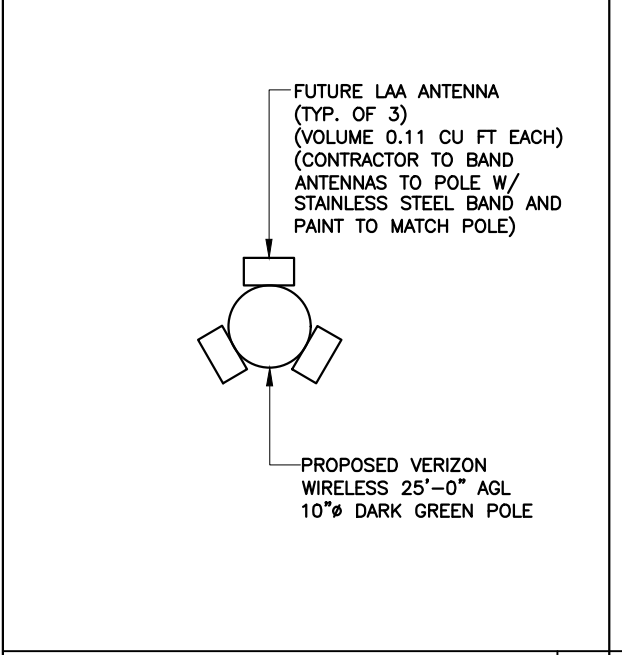
1. CONTRACTOR TO FIELD VERIFY ANTENNA MOUNT CONFIGURATION AND PROVIDE MOUNTS OR ADDITIONAL HARDWARE IF REQUIRED TO SUPPORT PROPOSED EQUIPMENT.
2. ALL EQUIPMENT AND MOUNTING HARDWARE SHALL CONFORM TO DESIGN REQUIREMENTS PER FLORIDA BUILDING CODE (7TH EDITION 2020) AND ANSI/TIA-222-H STRUCTURAL STANDARD FOR ANTENNA SUPPORTING STRUCTURES AND ANTENNAS; ULTIMATE WIND SPEED 165 MPH, 3 SECOND GUST.
3. AZIMUTH INFO TAKEN FROM VERIZON WIRELESS RF SITE DESIGN DATA.
4. PROPOSED POLE INFORMATION BASED ON STRUCTURAL ANALYSIS REPORT COMPLETED BY SMW ENGINEERING GROUP, INC. ENGINEER OF RECORD SHALL NOTIFY THE CONSTRUCTION MANAGER PRIOR TO CONSTRUCTION IF ANY PART OF THE CURRENT DESIGN DOES NOT SUFFICE.



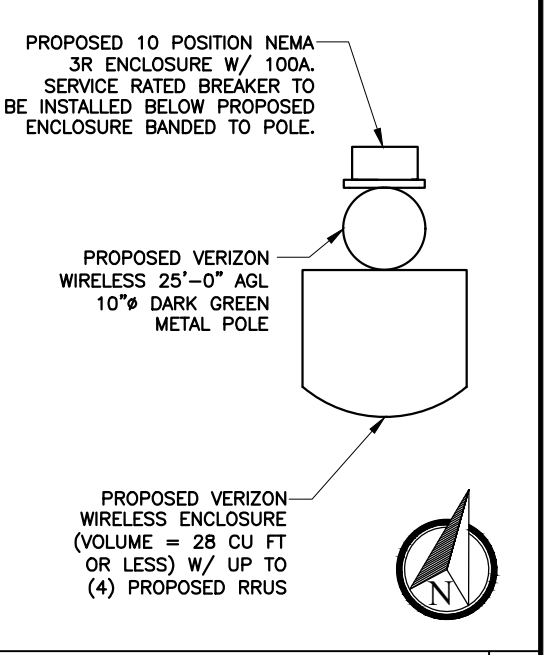
ANTENNA LAYOUT NTS 2



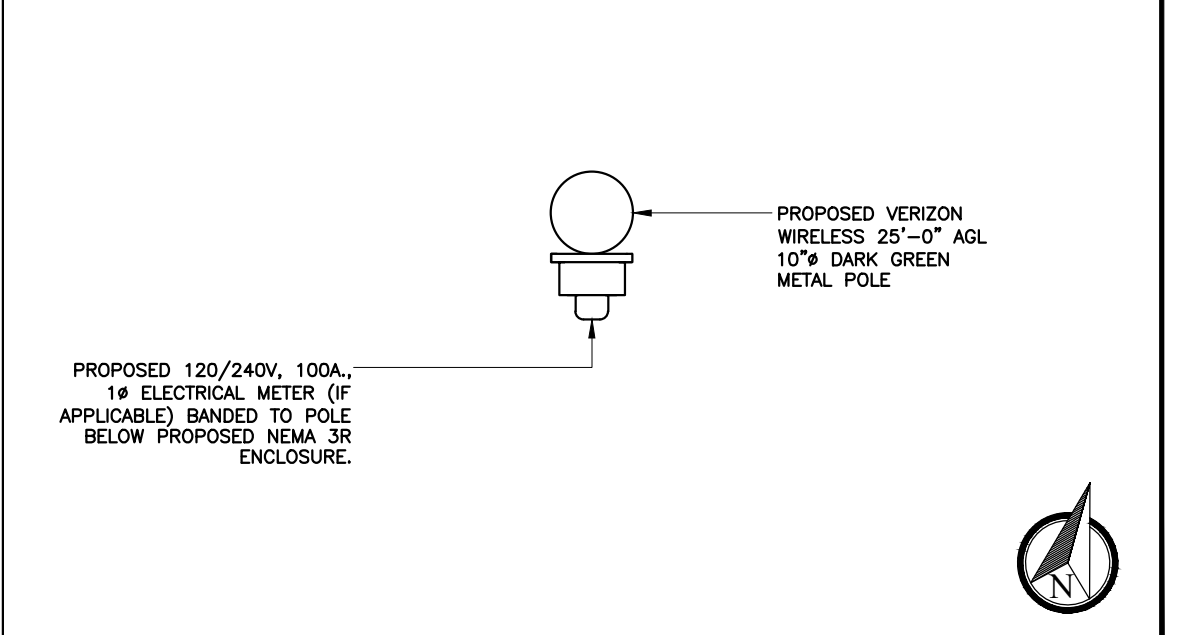
SMALL CELL LAYOUT NTS 3



LAA LAYOUT NTS 4



CABINET LAYOUT NTS 5



EQUIPMENT LAYOUT NTS 6

REV	DATE	DESCRIPTION
0	06/06/23	FINAL PLANS ISSUED
1	07/19/23	REVISED PER COMMENTS

PROJECT NO.: 17-5526

DRAWN BY:	J.MENDEZ
PROJECT MANAGER:	M. MURPHY
CHECKED BY:	M. MURPHY

THIS DRAWING IS COPYRIGHTED AND IS THE SOLE PROPERTY OF THE OWNER. IT IS PRODUCED SOLELY FOR USE BY THE OWNER AND ITS AFFILIATES. REPRODUCTION OR USE OF THIS DRAWING AND/OR THE INFORMATION CONTAINED IN IT IS FORBIDDEN WITHOUT THE WRITTEN PERMISSION OF THE OWNER.

**SMW**  
 ENGINEERING GROUP, INC.  
 TOGETHER PLANNING A BETTER TOMORROW

13051 TELECOM PARKWAY, SUITE 100  
 TEMPLE TERRACE, FLORIDA 33637  
 (813) 615-1422

CERTIFICATE OF AUTHORIZATION 28767

**verizon**

7701 TELECOM PARKWAY EAST  
 TEMPLE TERRACE, FLORIDA 33637

THIS DOCUMENT HAS BEEN ELECTRONICALLY SIGNED AND SEALED BY JEREMY D. SHARIT, PE (#75137) USING A DIGITAL SIGNATURE IN ACCORDANCE WITH F.A.C. 61G15-23.004, WITH A DIGITAL CERTIFICATE ISSUED BY ENTRUST, INC. PLEASE REFERENCE SHEET T1 TO VIEW THE SIGNATURE AND VERIFY ITS PROPERTIES. PRINTED COPIES OF THIS DOCUMENT ARE NOT CONSIDERED SIGNED AND SEALED AND THE SIGNATURE MUST BE VERIFIED ON ANY ELECTRONIC COPIES.

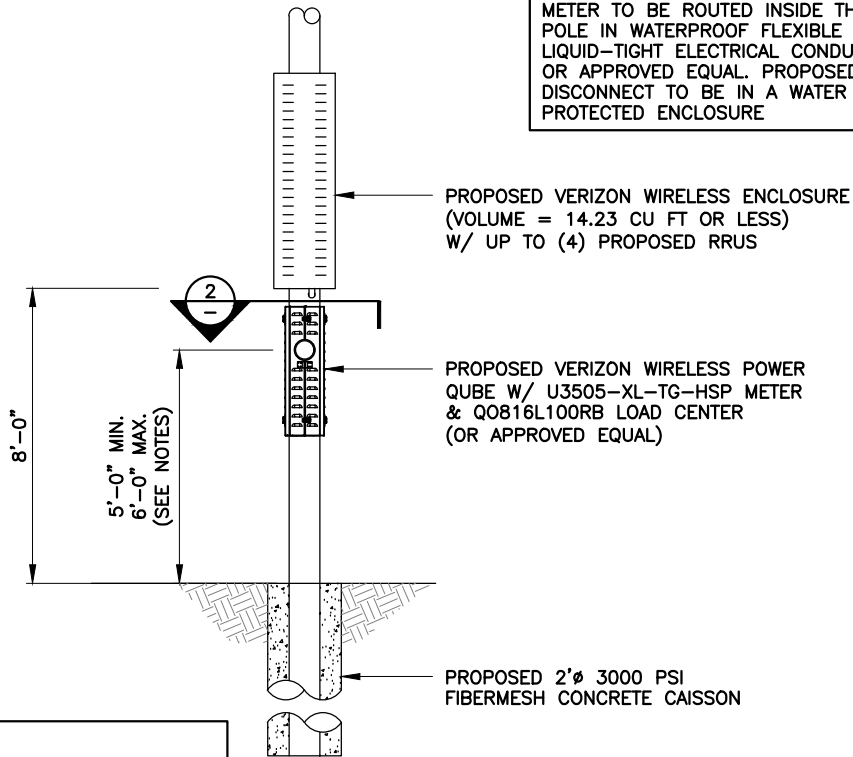
NAPLES GULF SHORE  
 THE BILLOWS  
 #9064976

RIGHT-OF-WAY OF GULF SHORE  
 BOULEVARD JUST SOUTH OF  
 HARBOUR DRIVE  
 NAPLES, FLORIDA 34103  
 (COLLIER COUNTY)

SHEET NAME  
 ELEVATION  
 &  
 EQUIPMENT PLAN

SHEET NUMBER  
 C3

ALL ELECTRICAL LINES EXTENDING VERTICALLY FROM PROPOSED METER TO BE ROUTED INSIDE THE POLE IN WATERPROOF FLEXIBLE LIQUID-TIGHT ELECTRICAL CONDUIT, OR APPROVED EQUAL. PROPOSED DISCONNECT TO BE IN A WATER PROTECTED ENCLOSURE



PROPOSED VERIZON WIRELESS ENCLOSURE (VOLUME = 14.23 CU FT OR LESS) W/ UP TO (4) PROPOSED RRUS

PROPOSED VERIZON WIRELESS POWER QUBE W/ U3505-XL-TG-HSP METER & Q0816L100RB LOAD CENTER (OR APPROVED EQUAL)

PROPOSED 2"Ø 3000 PSI FIBERMESH CONCRETE CAISSON

NOTES:

1. CONTRACTOR TO ADJUST METER AND DISCONNECT HEIGHTS TO BE 1' ABOVE BFE PER EXISTING SITE CONDITIONS.
2. CONTRACTOR TO DETERMINE ALTERNATE DESIGN PER EQUIPMENT AVAILABILITY.

ALTERNATE ELEVATION

NTS

1

SECTION

NTS

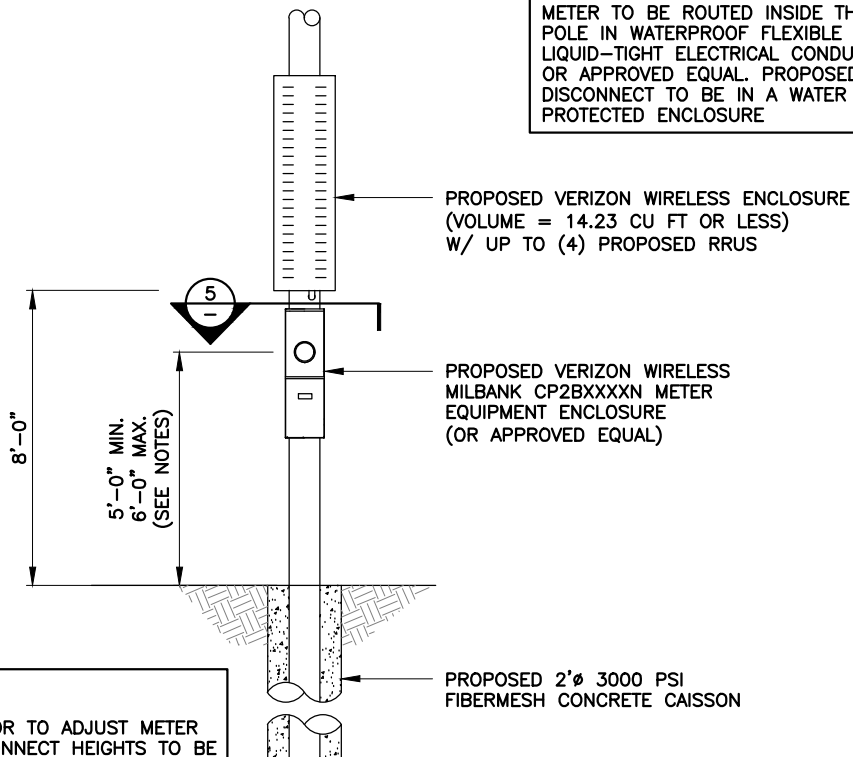
2

POWER QUBE SPECIFICATIONS

NTS

3

ALL ELECTRICAL LINES EXTENDING VERTICALLY FROM PROPOSED METER TO BE ROUTED INSIDE THE POLE IN WATERPROOF FLEXIBLE LIQUID-TIGHT ELECTRICAL CONDUIT, OR APPROVED EQUAL. PROPOSED DISCONNECT TO BE IN A WATER PROTECTED ENCLOSURE



PROPOSED VERIZON WIRELESS ENCLOSURE (VOLUME = 14.23 CU FT OR LESS) W/ UP TO (4) PROPOSED RRUS

PROPOSED VERIZON WIRELESS MILBANK CP2BXXXXN METER EQUIPMENT ENCLOSURE (OR APPROVED EQUAL)

PROPOSED 2"Ø 3000 PSI FIBERMESH CONCRETE CAISSON

NOTES:

1. CONTRACTOR TO ADJUST METER AND DISCONNECT HEIGHTS TO BE 1' ABOVE BFE PER EXISTING SITE CONDITIONS.
2. CONTRACTOR TO DETERMINE ALTERNATE DESIGN PER EQUIPMENT AVAILABILITY.

ALTERNATE ELEVATION

NTS

4

SECTION

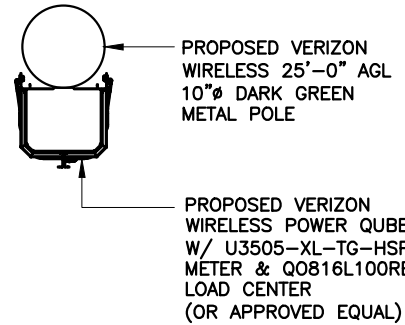
NTS

5

MILBANK EQUIPMENT ENCLOSURE SPECIFICATIONS

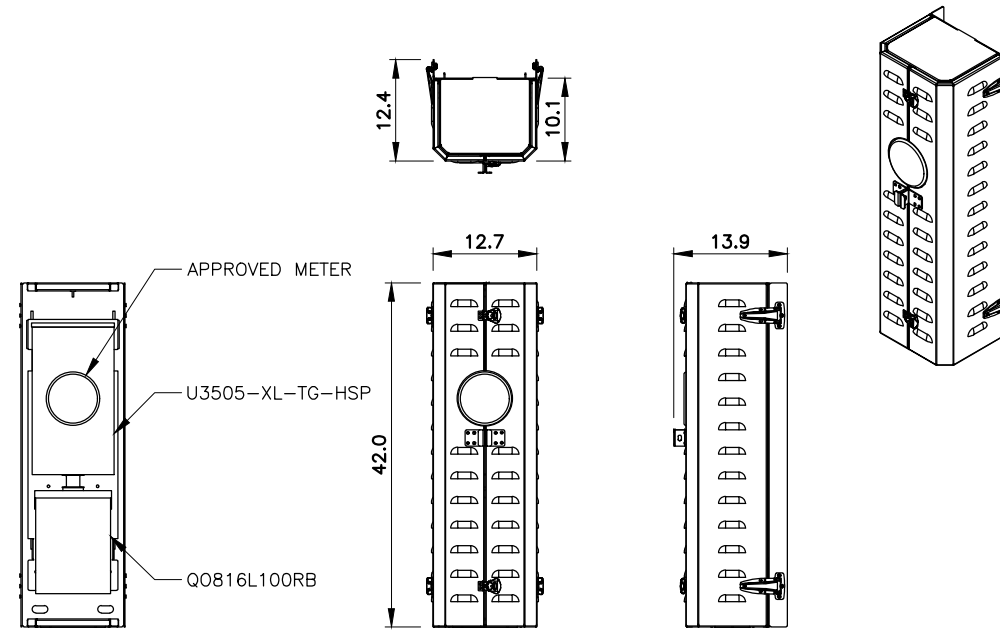
NTS

6



PROPOSED VERIZON WIRELESS 25'-0" AGL 10"Ø DARK GREEN METAL POLE

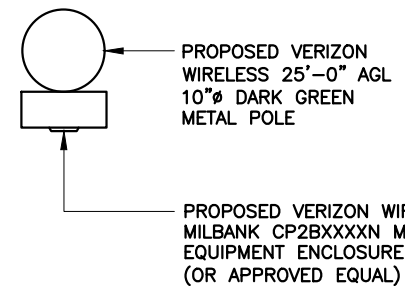
PROPOSED VERIZON WIRELESS POWER QUBE W/ U3505-XL-TG-HSP METER & Q0816L100RB LOAD CENTER (OR APPROVED EQUAL)



APPROVED METER

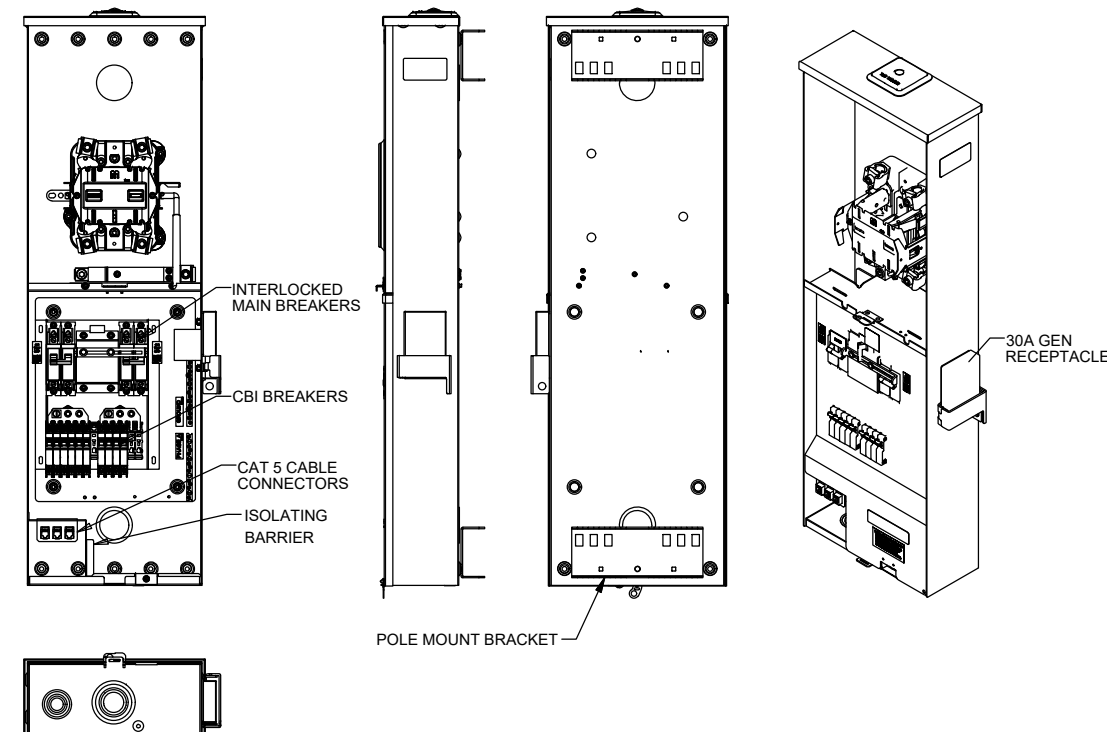
U3505-XL-TG-HSP

Q0816L100RB



PROPOSED VERIZON WIRELESS 25'-0" AGL 10"Ø DARK GREEN METAL POLE

PROPOSED VERIZON WIRELESS MILBANK CP2BXXXXN METER EQUIPMENT ENCLOSURE (OR APPROVED EQUAL)



INTERLOCKED MAIN BREAKERS

CBI BREAKERS

CAT 5 CABLE CONNECTORS

ISOLATING BARRIER

POLE MOUNT BRACKET

30A GEN RECEPTACLE

REV	DATE	DESCRIPTION
0	06/06/23	FINAL PLANS ISSUED
1	07/19/23	REVISED PER COMMENTS

PROJECT NO.: 17-5526

DRAWN BY: J.MENDEZ

PROJECT MANAGER: M. MURPHY

CHECKED BY: M. MURPHY

THIS DRAWING IS COPYRIGHTED AND IS THE SOLE PROPERTY OF THE OWNER. IT IS PRODUCED SOLELY FOR USE BY THE OWNER AND ITS AFFILIATES. REPRODUCTION OR USE OF THIS DRAWING AND/OR THE INFORMATION CONTAINED IN IT IS FORBIDDEN WITHOUT THE WRITTEN PERMISSION OF THE OWNER.



13051 TELECOM PARKWAY, SUITE 100  
TEMPLE TERRACE, FLORIDA 33637  
(813) 615-1422

CERTIFICATE OF AUTHORIZATION 28767



7701 TELECOM PARKWAY EAST  
TEMPLE TERRACE, FLORIDA 33637

THIS DOCUMENT HAS BEEN ELECTRONICALLY SIGNED AND SEALED BY JEREMY D. SHARIT, PE (#75137) USING A DIGITAL SIGNATURE IN ACCORDANCE WITH F.A.C. 61G15-23.004, WITH A DIGITAL CERTIFICATE ISSUED BY ENTRUST, INC. PLEASE REFERENCE SHEET T1 TO VIEW THE SIGNATURE AND VERIFY ITS PROPERTIES. PRINTED COPIES OF THIS DOCUMENT ARE NOT CONSIDERED SIGNED AND SEALED AND THE SIGNATURE MUST BE VERIFIED ON ANY ELECTRONIC COPIES.

NAPLES GULF SHORE  
THE BILLOWS  
#9064976

RIGHT-OF-WAY OF GULF SHORE BOULEVARD JUST SOUTH OF HARBOUR DRIVE  
NAPLES, FLORIDA 34103  
(COLLIER COUNTY)

SHEET NAME  
ELECTRICAL EQUIPMENT ALTERNATIVES

SHEET NUMBER  
C4

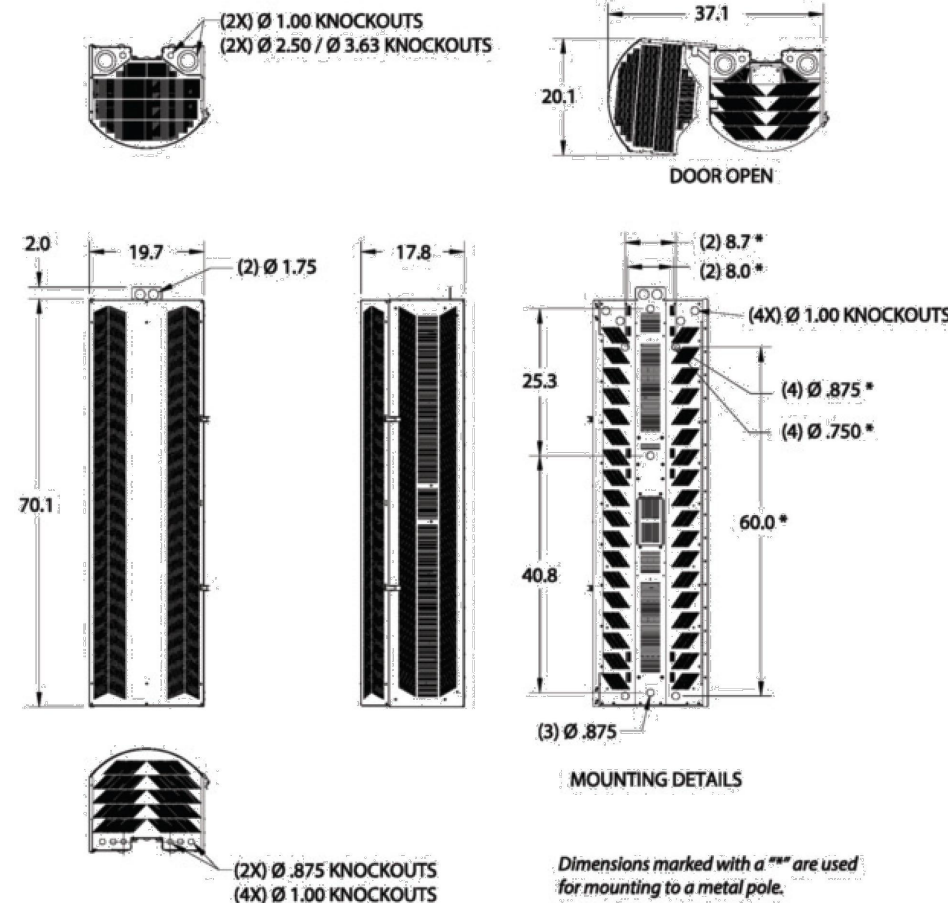
**NOTES:**

1. CONTRACTOR TO FOLLOW THE CONNECTION DETAILS TO POLE PER MANUFACTURER'S SPECIFICATIONS. CABINET MANUFACTURERS MAY VARY.
2. CONTRACTOR TO ENSURE PROPOSED CABINET HAS A RIGHT SWING DOOR.
3. ALL ATTACHED HARDWARE AND EQUIPMENT TO CONFORM TO THE CITY'S UPDATED DESIGN, MATERIAL AND COLOR SIMILAR TO THE POLE COLOR & TEXTURE. ALL ABOVE GROUND EQUIPMENT INCLUDING - ANTENNA, SHROUD, EQUIPMENT CABINET, METER & DISCONNECT ON METAL POLE TO BE DARK GREEN IN COLOR.

HB687 - DEFINED CABINET BELOW OR SIMILAR NOT TO EXCEED 28 CUBIC FEET.

**ENCLOSURE:**

DIMENSIONS (HxWxD)	70"x20"x18"
CUBIC FEET	14.23 CU FT
WEIGHT	SEE STRUCTURAL ANALYSIS BY MANUFACTURER



70" HIGH SHRD60-401 DIMENSIONS (in.)

REV	DATE	DESCRIPTION
0	06/06/23	FINAL PLANS ISSUED
1	07/19/23	REVISED PER COMMENTS

PROJECT NO.:	17-5526
DRAWN BY:	J.MENDEZ
PROJECT MANAGER:	M. MURPHY
CHECKED BY:	M. MURPHY

THIS DRAWING IS COPYRIGHTED AND IS THE SOLE PROPERTY OF THE OWNER. IT IS PRODUCED SOLELY FOR USE BY THE OWNER AND ITS AFFILIATES. REPRODUCTION OR USE OF THIS DRAWING AND/OR THE INFORMATION CONTAINED IN IT IS FORBIDDEN WITHOUT THE WRITTEN PERMISSION OF THE OWNER.



13051 TELECOM PARKWAY, SUITE 100  
TEMPLE TERRACE, FLORIDA 33637  
(813) 615-1422

CERTIFICATE OF AUTHORIZATION 28767



7701 TELECOM PARKWAY EAST  
TEMPLE TERRACE, FLORIDA 33637

THIS DOCUMENT HAS BEEN ELECTRONICALLY SIGNED AND SEALED BY JEREMY D. SHARIT, PE (#75137) USING A DIGITAL SIGNATURE IN ACCORDANCE WITH F.A.C. 61G15-23.004, WITH A DIGITAL CERTIFICATE ISSUED BY ENTRUST, INC. PLEASE REFERENCE SHEET T1 TO VIEW THE SIGNATURE AND VERIFY ITS PROPERTIES. PRINTED COPIES OF THIS DOCUMENT ARE NOT CONSIDERED SIGNED AND SEALED AND THE SIGNATURE MUST BE VERIFIED ON ANY ELECTRONIC COPIES.

NAPLES GULF SHORE  
THE BILLOWS  
#9064976

RIGHT-OF-WAY OF GULF SHORE  
BOULEVARD JUST SOUTH OF  
HARBOR DRIVE  
NAPLES, FLORIDA 34103  
(COLLIER COUNTY)

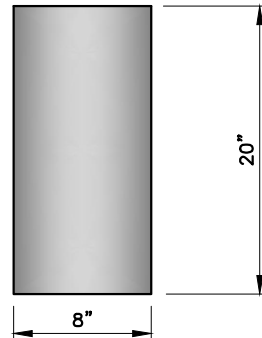
SHEET NAME  
ENCLOSURE  
DETAILS

SHEET NUMBER

C5



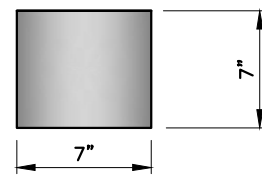
SMALL CELL ANTENNAS TO BE FLUSH MOUNTED TO POLE. CONTRACTOR TO PROVIDE MOUNT.



SMALL CELL ANTENNA	
DIMENSIONS (LxWxD)	..... 20"x8"x5"
ANTENNA WEIGHT	..... 53 LBS
VOL. IN CUBIC FT.	..... 0.463

SMALL CELL ANTENNA NTS 1

LAA ANTENNAS TO BE BANDED TO POLE. CONTRACTOR TO PROVIDE MOUNT.



LAA ANTENNA	
DIMENSIONS (LxWxD)	..... 7"x7"x4"
ANTENNA WEIGHT	..... 12.24 LBS
VOL. IN CUBIC FT.	..... 0.11

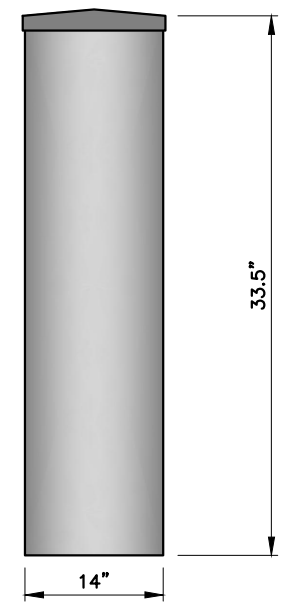
LAA ANTENNA NTS 2

HB687 – DEFINES EACH ANTENNA TO NOT EXCEED 6 CUBIC FEET.

CONTRACTOR TO SUPPLY ANTENNA MOUNT. CONTRACTOR TO COORDINATE WITH ANTENNA MANUFACTURER.

ALL ATTACHED HARDWARE AND EQUIPMENT TO CONFORM TO THE CITY'S UPDATED DESIGN, MATERIAL AND COLOR. ALL ABOVE GROUND EQUIPMENT INCLUDING – ANTENNA, SHROUD, EQUIPMENT CABINET, METER & DISCONNECT.

JMA MODEL CX140MI236-1C	
DIMENSIONS (LxWxD)	..... 33.5"x14"Ø
ANTENNA WEIGHT	..... 35 LBS
FREQUENCY	..... 1695-2700 MHZ
VOL. IN CUBIC FT.	..... 2.98



Electrical specification (minimum/maximum)	Ports 1, 2			Ports 3, 4, 5, 6				
	698-798	824-894	880-960	1695-1880	1850-1990	1920-2180	2300-2500	2500-2690
Frequency bands, MHz								
Polarization	± 45°			± 45°				
Average gain over all tilts, dBi	5.5	5.3	5.6	9.3	9.5	9.6	9.7	9.8
Horizontal beamwidth (HBW), deg	360°			360°				
Vertical beamwidth, (VBW), deg <sup>1</sup>	45°	44°	31°	16.8°	16.7°	14.4°	14.0°	12.7°
Elec downtilt (EDT) range, deg	0° (FET)			2-8° (MET/RET)				
Min X polar isolation, P2P, dB	25	25	25	25	25	25	25	25
Max VSWR/return loss, dB	1.5:1/ -14.0			1.5:1/ -14.0				
PIM	-153			-153				
Maximum input power port	250			150				

Electrical specification (minimum/maximum)	Ports 7,8,9,10		Ports 11,12, 13,14				
	3550-3700		5150-5350	5350-5470	5470-5725	5725-5850	5850-5925
Frequency bands, MHz							
Polarization	± 45°		± 45°				
Average gain over all tilts, dBi	5.9		5.5	5.7	5.5	5.5	5.6
Horizontal beamwidth (HBW), deg	360°						
Vertical beamwidth, (VBW), deg <sup>1</sup>	30°		24°	24°	20°	14°	18°
Elec downtilt (EDT) range, deg	0° (FET)						
Min X polar isolation, P2P, dB	25		25				
Max VSWR/return loss, dB	1.5:1/ -14.0		1.5:1/ -14.0				
PIM	N/A						
Maximum input power port	10		.25	-	.25	1.0	-

ANTENNA SPECIFICATIONS NTS 3

REV	DATE	DESCRIPTION
0	06/06/23	FINAL PLANS ISSUED

PROJECT NO.:	17-5526
DRAWN BY:	J.MENDEZ
PROJECT MANAGER:	M. MURPHY
CHECKED BY:	M. MURPHY

THIS DRAWING IS COPYRIGHTED AND IS THE SOLE PROPERTY OF THE OWNER. IT IS PRODUCED SOLELY FOR USE BY THE OWNER AND ITS AFFILIATES. REPRODUCTION OR USE OF THIS DRAWING AND/OR THE INFORMATION CONTAINED IN IT IS FORBIDDEN WITHOUT THE WRITTEN PERMISSION OF THE OWNER.



13051 TELECOM PARKWAY, SUITE 100  
 TEMPLE TERRACE, FLORIDA 33637  
 (813) 615-1422

CERTIFICATE OF AUTHORIZATION 28767



7701 TELECOM PARKWAY EAST  
 TEMPLE TERRACE, FLORIDA 33637

THIS DOCUMENT HAS BEEN ELECTRONICALLY SIGNED AND SEALED BY JEREMY D. SHARIT, PE (#75137) USING A DIGITAL SIGNATURE IN ACCORDANCE WITH F.A.C. 61G15-23.004, WITH A DIGITAL CERTIFICATE ISSUED BY ENTRUST, INC. PLEASE REFERENCE SHEET T1 TO VIEW THE SIGNATURE AND VERIFY ITS PROPERTIES. PRINTED COPIES OF THIS DOCUMENT ARE NOT CONSIDERED SIGNED AND SEALED AND THE SIGNATURE MUST BE VERIFIED ON ANY ELECTRONIC COPIES.

NAPLES GULF SHORE  
 THE BILLOWS  
 #9064976

RIGHT-OF-WAY OF GULF SHORE  
 BOULEVARD JUST SOUTH OF  
 HARBOUR DRIVE  
 NAPLES, FLORIDA 34103  
 (COLLIER COUNTY)

SHEET NAME  
 ANTENNA  
 DETAILS

SHEET NUMBER  
 C6

REV	DATE	DESCRIPTION
0	06/06/23	FINAL PLANS ISSUED

PROJECT NO.:	17-5526
DRAWN BY:	J.MENDEZ
PROJECT MANAGER:	M. MURPHY
CHECKED BY:	M. MURPHY

THIS DRAWING IS COPYRIGHTED AND IS THE SOLE PROPERTY OF THE OWNER. IT IS PRODUCED SOLELY FOR USE BY THE OWNER AND ITS AFFILIATES. REPRODUCTION OR USE OF THIS DRAWING AND/OR THE INFORMATION CONTAINED IN IT IS FORBIDDEN WITHOUT THE WRITTEN PERMISSION OF THE OWNER.

**SMW**  
ENGINEERING GROUP, INC.  
TOGETHER PLANNING A BETTER TOMORROW

13051 TELECOM PARKWAY, SUITE 100  
TEMPLE TERRACE, FLORIDA 33637  
(813) 615-1422

CERTIFICATE OF AUTHORIZATION 28767

**verizon** ✓

7701 TELECOM PARKWAY EAST  
TEMPLE TERRACE, FLORIDA 33637

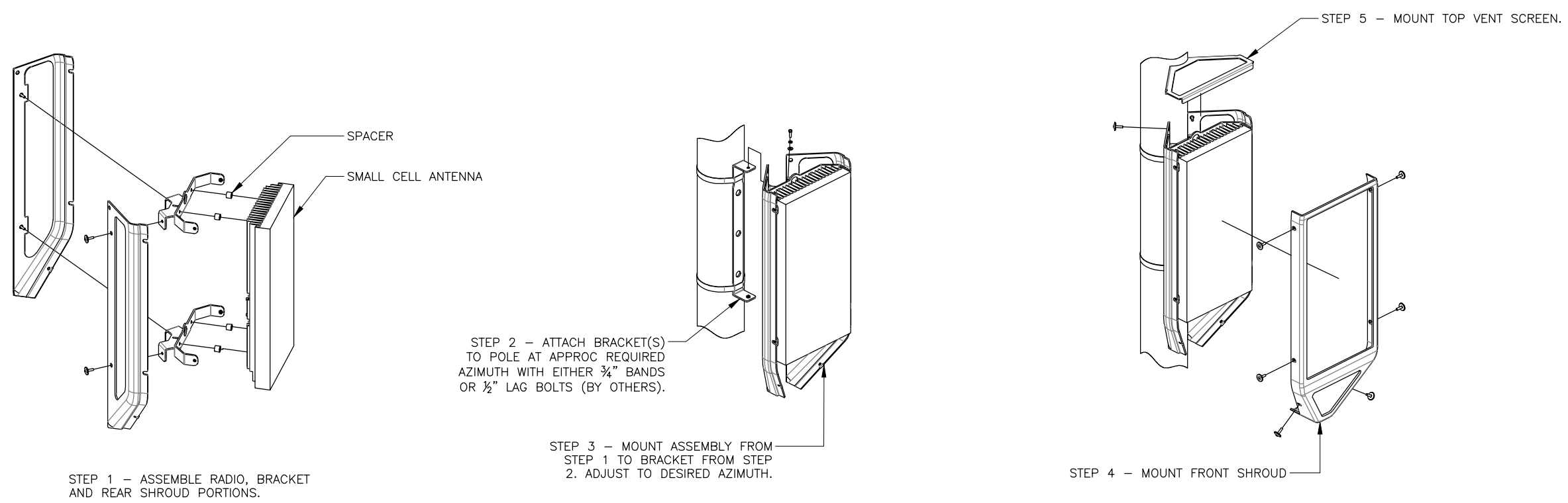
THIS DOCUMENT HAS BEEN ELECTRONICALLY SIGNED AND SEALED BY JEREMY D. SHARIT, PE (#75137) USING A DIGITAL SIGNATURE IN ACCORDANCE WITH F.A.C. 61G15-23.004, WITH A DIGITAL CERTIFICATE ISSUED BY ENTRUST, INC. PLEASE REFERENCE SHEET T1 TO VIEW THE SIGNATURE AND VERIFY ITS PROPERTIES. PRINTED COPIES OF THIS DOCUMENT ARE NOT CONSIDERED SIGNED AND SEALED AND THE SIGNATURE MUST BE VERIFIED ON ANY ELECTRONIC COPIES.

NAPLES GULF SHORE  
THE BILLOWS  
#9064976

RIGHT-OF-WAY OF GULF SHORE  
BOULEVARD JUST SOUTH OF  
HARBOUR DRIVE  
NAPLES, FLORIDA 34103  
(COLLIER COUNTY)

SHEET NAME  
ANTENNA MOUNTING  
DETAIL

SHEET NUMBER  
C7



**A – GENERAL**

- A1. ALL ELECTRICAL WORK SHALL CONFORM TO THE NATIONAL ELECTRICAL CODE (EDITION ADOPTED BY LOCAL JURISDICTION) AND APPLICABLE LOCAL CODES.
- A2. GROUNDING SHALL COMPLY WITH ARTICLE 250 OF THE NATIONAL ELECTRIC CODE.
- A3. ALL ELECTRICAL EQUIPMENT AND ACCESSORIES SHALL BE U.L. APPROVED OR LISTED.
- A4. ALL POWER WIRING SHALL BE STRANDED COPPER, TYPE THHN/THHW, AND 90 DEGREES C RATED.
- A5. GROUNDING ELECTRODE CONDUCTORS SHALL BE BARE, TIN COATED COPPER AND EQUIPMENT GROUND CONDUCTORS SHALL BE GREEN INSULATED, UNLESS OTHERWISE NOTED.
- A6. ALL POWER WIRING SHALL BE INSTALLED IN GALVANIZED RIGID STEEL CONDUIT, PVC, OR FLEXIBLE LIQUIDTIGHT CONDUIT, AS INDICATED.
- A7. CONTRACTOR SHALL OBTAIN ALL PERMITS, PAY PERMIT FEES, AND SCHEDULE INSPECTIONS.
- A8. CONTRACTOR SHALL APPLY FOR ELECTRICAL SERVICE AS SOON AS POSSIBLE AND COORDINATE REQUIREMENTS, SERVICE ROUTING, AND METER SOCKET TYPE WITH LOCAL POWER COMPANY.
- A9. CONTRACTOR SHALL APPLY FOR TELEPHONE SERVICE AS SOON AS POSSIBLE AND COORDINATE REQUIREMENTS AND SERVICE ROUTING WITH TELEPHONE COMPANY.
- A10. CONTRACTOR TO PROVIDE ALL LABOR AND MATERIALS DESCRIBED IN THESE DRAWINGS, AND ALL ITEMS REQUIRED TO COMPLETE AND PRESENT THIS PROJECT AS FULLY OPERATIONAL.
- A11. WHERE LONG POWER CABLE RUNS PREVAIL, CONTRACTOR SHALL CALCULATE THE VOLTAGE DROP AND SIZE WIRES AND CONDUIT ACCORDINGLY.
- A12. WHEN TRANSFORMER IS REQUIRED FOR ELECTRICAL SERVICE, TRANSFORMER SECONDARY SHALL BE GROUNDED PER N.E.C., ARTICLE 250-26.
- A13. REFER TO SITE SPECIFIC DRAWINGS FOR ELEVATIONS.
- A14. ALL ELECTRICAL DEVICES EXPOSED TO WEATHER SHALL BE OF RAINPROOF CONSTRUCTION AND SHALL REQUIRE WATER TIGHT CONDUIT HUBS. NEMA 3R TYPICAL
- A15. CONTRACTOR SHALL COIL CABLES AT HAND HOLE WITH LENGTHS AS REQUIRED BY ELECTRICAL UTILITY FOR CONNECTION BY UTILITY.
- A16. ALL UNDERGROUND SERVICE ENTRANCE POWER CABLES SHALL BE TYPE FOR SUCH USE. CONTRACTOR SHALL CALCULATE VOLTAGE DROP AND RE-SIZE CABLES PER NEC REQUIREMENTS FOR CABLE RUNS EXCEEDING 250 FEET.

**B – POWER CABLE AND SERVICE**

- B1. CONTRACTOR SHALL PROVIDE CONDUIT AND WIRING TO BTS AND VERIFY EXACT CONDUIT ROUTING. RACEWAY SYSTEM MATERIALS AND DEVICES FURNISHED SHALL BE IN ACCORDANCE WITH APPLICABLE STANDARDS OF ANSI, NEMA, AND UL. RACEWAY SYSTEM COMPONENTS SHALL BE INSTALLED IN ACCORDANCE WITH APPLICABLE REQUIREMENTS OF THE N.E.C.
- B2. CONTRACTOR SHALL SEAL AROUND ALL CONDUIT PENETRATIONS THROUGH WALLS, FLOORS AND ROOFS TO PREVENT MOISTURE PENETRATION OR VERMIN INFESTATION.
- B3. CONDUCTORS RUNNING ALONG HORIZONTAL SURFACES (ROOF TOP OR SLAB) SHALL BE INSTALLED IN RIGID CONDUIT SUPPORTED WITH ELECTRICAL CONDUIT SUPPORT.
- B4. ALL VERTICAL RUNS OF POWER CABLE EXCEEDING 80 FEET IN LENGTH SHALL BE SUPPORTED PER N.E.C. ARTICLE 300 USING KELLEMS GRIPS OR ACCEPTABLE EQUAL CABLE SUPPORT SYSTEM.
- B5. WHERE A SEPARATE ELECTRICAL SERVICE DROP IS ADDED, CONTRACTOR SHALL INSTALL PERMANENT SERVICE DISCONNECT OR GROUPING THEREOF, DENOTING ALL OTHER SERVICE ENTRANCES, LOCATION OF EACH AND THE AREAS SERVED BY EACH.
- B6. WHERE ELECTRICAL POWER IS TO BE SUB-FED FROM AN EXISTING DISTRIBUTION SYSTEM, THE FOLLOWING SHALL APPLY:
  - A) CONTRACTOR SHALL PERFORM LOAD TESTING TO DETERMINE MAXIMUM FEEDER DEMAND PER N.E.C. ARTICLE 220-35.
  - B) CONTRACTOR SHALL VERIFY WHETHER EXISTING FEEDER CAPACITY EXCEEDS VALUE CALCULATED PER N.E.C. ARTICLE 220-35
  - C) EACH BRANCH CIRCUIT PROTECTIVE DEVICE SHALL HAVE SAME INTERRUPTING RATING AS EQUIPMENT SUPPLYING IT.
  - D) PREFERRED MEANS OF SUPPLY SHALL BE A BRANCH CIRCUIT PROTECTIVE DEVICE LOCATED IN EXISTING PANEL.
  - E) IF A BRANCH CIRCUIT PROTECTIVE DEVICE CANNOT BE OBTAINED OR SPACE IS NOT AVAILABLE, A BRANCH CIRCUIT MAY BE TAPPED FROM EXISTING FEEDER CONDUCTORS USING AN INSTALLED 2-POLE FUSED DISCONNECT AND METER BASE PER N.E.C. ARTICLE 240-21 WITH TEN FOOT (10) MAXIMUM TAP CONDUCTORS. FUSED DISCONNECT SHALL BE LISTED WITH SAME OR BETTER INTERRUPTING RATING AS EXISTING SOURCE OF SUPPLY.

**C – RF (COAX) AND LOW VOLTAGE CABLE**

- C1. RF CABLES AND LOW VOLTAGE CABLING BETWEEN BTS, LNA OR TMA AND ANTENNA SHALL BE SUPPORTED USING ANDREW "SNAP-IN" HANGERS OR ACCEPTABLE EQUAL.

**D – IDENTIFICATION**

- D1. LOCATE NAMEPLATE, MARKING, OR OTHER IDENTIFICATION MEANS ON OUTSIDE EQUIPMENT OR BOX FRONT COVERS.
- D2. PROVIDE NAMEPLATE ENGRAVED WITH EQUIPMENT DESIGNATION FOR EACH SAFETY SWITCH AND ALL OTHER ELECTRICAL CABINETS, ETC.
- D3. DURING TRENCH BACK-FILLING FOR EACH UNDERGROUND ELECTRICAL, TELEPHONE, SIGNAL AND COMMUNICATIONS LINE, PROVIDE A CONTINUOUS UNDERGROUND WARNING TAPE TWELVE INCHES BELOW FINISHED GRADE.

**A – GENERAL**

- A1. INSTALLATION OF GROUNDING ELECTRODE SYSTEM SHALL COMPLY WITH ARTICLE 250 OF THE NATIONAL ELECTRIC CODE AND WITH ALL BUILDING CODES OF AUTHORITIES HAVING JURISDICTION.
- A2. GROUNDING CONDUCTORS SHALL BE #2 AWG TINNED SOLID BARE COPPER BELOW AND ABOVE GRADE, UNLESS OTHERWISE NOTED AND SHALL BE ROUTED IN A DOWNWARD PATH TOWARDS GROUND BARS.
- A3. GROUNDING CONDUCTORS SHALL BE KEPT AS SHORT AND DIRECT AS POSSIBLE WITH MINIMUM BEND RADIUS OF 12 INCHES.
- A4. ALL BELOW GRADE CONNECTIONS SHALL BE CADWELD TYPE CONNECTIONS AND ALL CONNECTIONS TO EQUIPMENT AND GROUND BARS SHALL BE 2-HOLE BRONZE COMPRESSION CONNECTORS UNLESS OTHERWISE NOTED.
- A5. CONTRACTOR SHALL INSTALL NEW GROUNDING SYSTEM PER SPECIFICATIONS AND INTERCONNECT NEW SYSTEMS TO ANY EXISTING GROUNDING SYSTEMS AS REQUIRED BY NFPA 70 AND 780 (THIS APPLIES TO ELECTRICAL POWER DISTRIBUTION GROUNDING SYSTEM, LIGHTNING PROTECTION GROUNDING SYSTEM, COAX CABLE GROUNDING SYSTEM AND ANY OTHER EXISTING GROUNDING SYSTEMS).
- A6. GROUNDING CONDUCTORS SHALL BE BONDED TO ANTENNA FRAMES, AND ANY SUPPORT FRAMES OR RACKS USING CADWELD OR MECHANICAL CONNECTIONS.
- A7. CONTRACTOR SHALL PROVIDE LOCK WASHERS FOR ALL MECHANICAL CONNECTIONS FOR GROUND CONDUCTORS, STAINLESS STEEL HARDWARE SHALL BE USED THROUGHOUT.
- A8. GROUNDING CONDUCTORS EMBEDDED IN CONCRETE, PENETRATING WALLS, AND/OR FLOORS SHALL BE ENCASED IN PVC CONDUIT. NO METALLIC CONDUIT SHALL BE USED FOR GROUNDING CONDUCTORS UNLESS REQUIRED BY LOCAL CODES OR OTHERWISE INDICATED ON DRAWINGS. CONTRACTOR SHALL SEAL AROUND ALL CONDUIT PENETRATIONS TO PREVENT MOISTURE PENETRATION AND VERMIN INFESTATION.
- A9. CONTRACTOR SHALL BOND GROUNDING SYSTEM VIA THE MASTER GROUND BAR TO ALL METAL OBJECTS WITHIN 12 FEET OF EQUIPMENT, CONDUIT AND CABLES.
- A10. BONDING OF GROUNDED CONDUCTOR (NEUTRAL) AND GROUNDING CONDUCTOR SHALL BE AT SERVICE DISCONNECTING MEANS. BONDING JUMPER SHALL BE INSTALLED PER N.E.C. ARTICLE 250-28.
- A11. CONTRACTOR SHALL VERIFY EXACT CONDUIT ROUTING FOR GROUNDING CONDUCTORS WHERE APPLICABLE.
- A12. CONNECTIONS TO CGB SHALL BE ARRANGED IN THE FOLLOWING THREE GROUPS:
  - \* SURGE PRODUCERS (COAXIAL CABLE GROUND KITS, TELCO CABINET AND POWER PEDESTAL GROUND).
  - \* SURGE ABSORBERS (GROUNDING ELECTRODE RING OR BUILDING STEEL).
  - \* NON-SURGING OBJECTS (EGB GROUND IN BTS).
- A13. DOUBLING OR STACKING OF ANY GROUNDING CONNECTIONS IS NOT ACCEPTABLE.
- A14. ALL GROUND BARS SHALL BE INSTALLED WITH STAND OFF INSULATORS.

**B – PREPARATION**

- B1. SURFACES: ALL CONNECTIONS SHALL BE MADE TO BARE METAL. ALL PAINTED SURFACES SHALL BE FIELD INSPECTED TO ENSURE PROPER CONTACT. ALL GALVANIZED SURFACES ON WHICH GALVANIZING HAS BEEN REMOVED BY CUTTING, DRILLING, OR ANY OTHER OPERATION SHALL BE RE-GALVANIZED IN ACCORDANCE WITH ASTM A780 USING "ZINC RICH" COATING AS MANUFACTURED BY ZRC CHEMICAL PRODUCTS COMPANY (LOCATED IN QUINCY, MASSACHUSETTS), OR ACCEPTABLE EQUAL. NO WASHERS ARE ALLOWED BETWEEN ITEMS BEING GROUNDED. ALL CONNECTIONS ARE TO HAVE A NON-OXIDIZING AGENT ("COPPER SHIELD") APPLIED PRIOR TO INSTALLATION.
- B2. GROUND BAR: ALL COPPER GROUND BARS SHALL BE CLEANED, POLISHED AND HAVE A NON-OXIDIZING AGENT ("COPPER SHIELD") APPLIED. NO FINGER PRINTS OR DISCOLORED COPPER SHALL BE PERMITTED.

**C – LAND BUILDS AND CO-LOCATES**

- C1. THE GROUND ELECTRODE SYSTEM SHALL CONSIST OF DRIVEN GROUND RODS UNIFORMLY SPACED AROUND THE EQUIPMENT FOUNDATION AND AROUND THE PERIMETER OF THE TOWER FOUNDATION. THE GROUND RODS SHALL BE 3/8" X 10'-0" COPPER CLAD STEEL INTERCONNECTED WITH #2 SOLID TINNED BARE COPPER GROUND CONDUCTOR TO FORM A GROUND RING AT A DEPTH OF 30 INCHES BELOW THE SURFACE OF THE SOIL. A MINIMUM OF 1 FOOT AND A MAXIMUM OF 3 FEET CLEARANCES SHALL BE MAINTAINED FROM FOUNDATIONS. TOWER AND EQUIPMENT GROUND RINGS SHALL BE INTERCONNECTED WITH TWO GROUNDING CONDUCTORS OF EQUAL LENGTH AND MATERIALS.
- C2. GROUND RODS SHALL BE BONDED TO GROUND RINGS AND INTERCONNECTING CONDUCTORS AT EQUAL INTERVALS OF APPROXIMATELY 10 FEET.
- C3. GROUND BARS SHALL BE BONDED TO GROUND RING WITH SINGLE GROUNDING CONDUCTOR.
- C4. BONDS TO ANTENNA MASTS, FENCE POSTS, WAVEGUIDE BRIDGE, TOWER STEEL (UNLESS PROHIBITED BY TOWER MANUFACTURER) AND THOSE BELOW GRADE SHALL BE EXOTHERMIC TYPE (CADWELD). ALL OTHER BONDS SHALL BE BRONZE 2-HOLE COMPRESSION FITTINGS UNLESS OTHERWISE NOTED.
- C5. GROUNDING CONDUCTORS MAKING A TRANSITION FROM ABOVE TO BELOW GRADE SHALL BE INSULATED FROM EARTH CONTACT BY PASSING THROUGH PVC CONDUIT. THE CONDUIT SHALL EXTEND AT LEAST 6 INCHES ABOVE AND 12 INCHES BELOW GRADE LEVEL.

**D – GROUNDING REQUIREMENTS**

- D1. CONTRACTOR SHALL INSPECT AND TEST ANY NEW OR EXISTING VERIZON WIRELESS GROUNDING SYSTEM WITH A BIDDLE-MEGGER TESTER UTILIZING THE FALL OF POTENTIAL METHOD AND CONTACT CONSTRUCTION MANAGER IF RESISTANCE EXCEEDS 5 OHMS AND SHALL FIELD MODIFY GROUNDING SYSTEM AS NECESSARY TO ACHIEVE COMPLIANCE. TEST RESULTS AND CONCLUSIONS SHALL BE RECORDED FOR PROJECT CLOSE-OUT DOCUMENTATION.
- D2. COAX CABLE OUTER CONDUCTORS (SHIELDS) SHALL BE GROUNDED USING COAX GROUNDING KITS AT A MINIMUM OF TWO POINTS, INCLUDING AT ANTENNA AND AT MASTER GROUND BAR. THE COAXIAL CABLE SHALL NOT EXCEED 100 FEET BETWEEN GROUNDING KITS.

REV	DATE	DESCRIPTION
0	06/06/23	FINAL PLANS ISSUED
PROJECT NO.:		17-5526
DRAWN BY:		J.MENDEZ
PROJECT MANAGER:		M. MURPHY
CHECKED BY:		M. MURPHY

THIS DRAWING IS COPYRIGHTED AND IS THE SOLE PROPERTY OF THE OWNER. IT IS PRODUCED SOLELY FOR USE BY THE OWNER AND ITS AFFILIATES. REPRODUCTION OR USE OF THIS DRAWING AND/OR THE INFORMATION CONTAINED IN IT IS FORBIDDEN WITHOUT THE WRITTEN PERMISSION OF THE OWNER.



TOGETHER PLANNING A BETTER TOMORROW

13051 TELECOM PARKWAY, SUITE 100  
TEMPLE TERRACE, FLORIDA 33637  
(813) 615-1422

CERTIFICATE OF AUTHORIZATION 28767



7701 TELECOM PARKWAY EAST  
TEMPLE TERRACE, FLORIDA 33637

THIS DOCUMENT HAS BEEN ELECTRONICALLY SIGNED AND SEALED BY JEREMY D. SHARIT, PE (#75137) USING A DIGITAL SIGNATURE IN ACCORDANCE WITH F.A.C. 61G15-23.004, WITH A DIGITAL CERTIFICATE ISSUED BY ENTRUST, INC. PLEASE REFERENCE SHEET T1 TO VIEW THE SIGNATURE AND VERIFY ITS PROPERTIES. PRINTED COPIES OF THIS DOCUMENT ARE NOT CONSIDERED SIGNED AND SEALED AND THE SIGNATURE MUST BE VERIFIED ON ANY ELECTRONIC COPIES.

**NAPLES GULF SHORE  
THE BILLOWS**  
#9064976

RIGHT-OF-WAY OF GULF SHORE  
BOULEVARD JUST SOUTH OF  
HARBOR DRIVE  
NAPLES, FLORIDA 34103  
(COLLIER COUNTY)

SHEET NAME  
**ELECTRICAL /  
GROUNDING NOTES**

SHEET NUMBER  
**E1**

**BILL OF MATERIALS:**

- WIRE SIZE: #4/0
- WIRE COUNT: 3
- WIRE LENGTH: 1200' ea
- WIRE TYPE: COPPER
- HANDHOLE COUNT: 4

**KEY:**

	WATER MAIN
	RECLAIMED WATER LINE
	STORMWATER MAIN
	SANITARY GRAVITY MAIN

REV	DATE	DESCRIPTION
0	06/06/23	FINAL PLANS ISSUED
1	07/19/23	REVISED PER COMMENTS
2	09/06/23	REVISED PER COMMENTS

PROJECT NO.:	17-5526
DRAWN BY:	J.MENDEZ
PROJECT MANAGER:	M. MURPHY
CHECKED BY:	M. MURPHY

THIS DRAWING IS COPYRIGHTED AND IS THE SOLE PROPERTY OF THE OWNER. IT IS PRODUCED SOLELY FOR USE BY THE OWNER AND ITS AFFILIATES. REPRODUCTION OR USE OF THIS DRAWING AND/OR THE INFORMATION CONTAINED IN IT IS FORBIDDEN WITHOUT THE WRITTEN PERMISSION OF THE OWNER.



13051 TELECOM PARKWAY, SUITE 100  
 TEMPLE TERRACE, FLORIDA 33637  
 (813) 615-1422

CERTIFICATE OF AUTHORIZATION 28767



7701 TELECOM PARKWAY EAST  
 TEMPLE TERRACE, FLORIDA 33637

THIS DOCUMENT HAS BEEN ELECTRONICALLY SIGNED AND SEALED BY JEREMY D. SHARIT, PE (#75137) USING A DIGITAL SIGNATURE IN ACCORDANCE WITH F.A.C. 61G15-23.004, WITH A DIGITAL CERTIFICATE ISSUED BY ENTRUST, INC. PLEASE REFERENCE SHEET T1 TO VIEW THE SIGNATURE AND VERIFY ITS PROPERTIES. PRINTED COPIES OF THIS DOCUMENT ARE NOT CONSIDERED SIGNED AND SEALED AND THE SIGNATURE MUST BE VERIFIED ON ANY ELECTRONIC COPIES.

**NAPLES GULF SHORE THE BILLOWS #9064976**

RIGHT-OF-WAY OF GULF SHORE BOULEVARD JUST SOUTH OF HARBOUR DRIVE  
 NAPLES, FLORIDA 34103 (COLLIER COUNTY)

SHEET NAME	UTILITY POWER PLAN
SHEET NUMBER	E2

**CONSTRUCTION NOTE:**

ANY CONSTRUCTION AT THE SITE WILL USE BEST MANAGEMENT PRACTICES INCLUDING SOIL EROSION CONTROL MEASURES, AS ALSO REQUIRED BY LOCAL JURISDICTION, AND NOTED ON THE CONSTRUCTION DRAWING.

- NOTES:**
- CONTRACTOR SHALL RESTORE AND REPAIR ANY DAMAGED AREAS CAUSED BY CONSTRUCTION TO ORIGINAL OR BETTER CONDITION.
  - ALL NEW WORK TO BE PERFORMED PER LATEST VERIZON WIRELESS STANDARDS & SPECIFICATIONS AND PER CITY OF NAPLES PUBLIC WORKS STANDARDS.



CONTRACTOR TO DIRECTIONAL DRILL 3" HDPE CONDUIT 4/0 AWG FROM VERIZONE GS009 SMALL CELL (PROPOSED POWER SOURCE) TO THE BASE OF THE PROPOSED POLE LOCATION (NAPLES GULF SHORE THE BILLOWS)

VERIZON WIRELESS GS009 SMALL CELL POLE WITH 200A NEMA 3R ENCLOSURE (PROPOSED POWER SOURCE)

PROPOSED 6'X10' WORK AREA  
 PROPOSED HANDHOLE (PROVIDED BY OTHERS)

PROPOSED 6'X10' WORK AREA  
 PROPOSED HANDHOLE

PROPOSED 6'X10' WORK AREA  
 PROPOSED HANDHOLE

PROPOSED 6'X10' WORK AREA  
 PROPOSED HANDHOLE

PROPOSED POLE LOCATION  
 LATITUDE - 26°10'37.58" (26.177106)  
 LONGITUDE - 081°48'48.09" (-81.813358)

GULF SHORE BLVD N.  
 (public ROW)

**NOTES:**

ALL UTILITIES NOT SHOWN IN R/W WILL BE LOCATED PRIOR TO CONSTRUCTION.

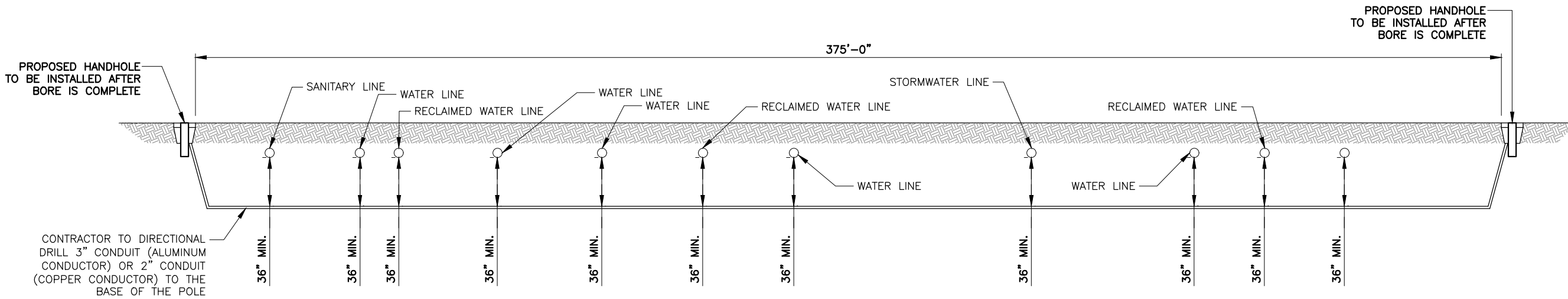
ALL UTILITIES IN AREA ARE APPROXIMATE. LOCATE PRIOR TO CONSTRUCTION.

MAINTAIN 36" MIN. HORIZONTAL AND 36" VERTICAL UTILITY SEPARATION.

DRIVEWAYS, TREES & CULVERTS WILL BE DIRECTIONAL BORED.

CONTRACTOR TO MAINTAIN 5' HORIZONTAL CLEARANCE IF DIRECTIONAL BORE IS USED PARALLEL TO AN EXISTING WASTEWATER PIPELINE.

RIGHT OF WAYS WILL BE RESTORED AS GOOD AS OR BETTER THAN ORIGINAL CONDITION & COMPACTED PER CITY OF NAPLES STANDARDS.



TYPICAL CROSS SECTION – EAST ELEVATION

NTS 1

**NOTES:**

ALL UTILITIES NOT SHOWN IN R/W WILL BE LOCATED PRIOR TO CONSTRUCTION.

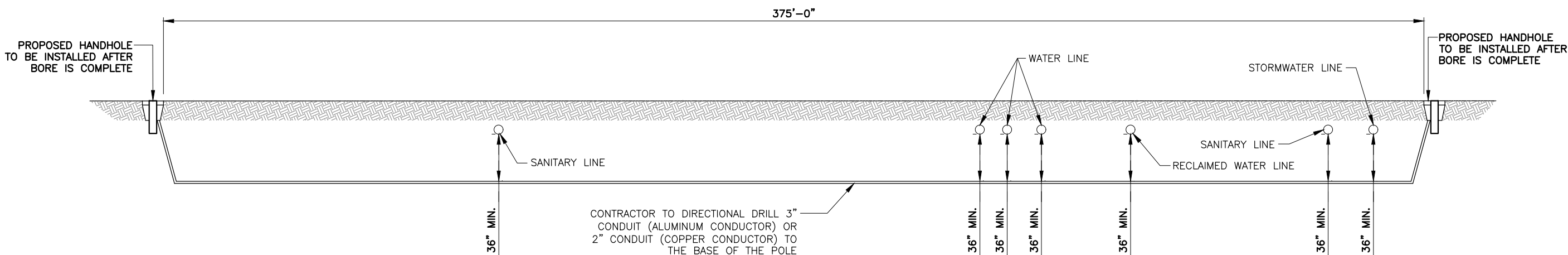
ALL UTILITIES IN AREA ARE APPROXIMATE. LOCATE PRIOR TO CONSTRUCTION.

MAINTAIN 36" MIN. HORIZONTAL AND 36" VERTICAL UTILITY SEPARATION.

DRIVEWAYS, TREES & CULVERTS WILL BE DIRECTIONAL BORED.

CONTRACTOR TO MAINTAIN 5' HORIZONTAL CLEARANCE IF DIRECTIONAL BORE IS USED PARALLEL TO AN EXISTING WASTEWATER PIPELINE.

RIGHT OF WAYS WILL BE RESTORED AS GOOD AS OR BETTER THAN ORIGINAL CONDITION & COMPACTED PER CITY OF NAPLES STANDARDS.



TYPICAL CROSS SECTION – EAST ELEVATION

NTS 2

REV	DATE	DESCRIPTION
0	06/06/23	FINAL PLANS ISSUED
1	07/19/23	REVISED PER COMMENTS
2	09/06/23	REVISED PER COMMENTS

PROJECT NO.:	17-5526
DRAWN BY:	J.MENDEZ
PROJECT MANAGER:	M. MURPHY
CHECKED BY:	M. MURPHY

THIS DRAWING IS COPYRIGHTED AND IS THE SOLE PROPERTY OF THE OWNER. IT IS PRODUCED SOLELY FOR USE BY THE OWNER AND ITS AFFILIATES. REPRODUCTION OR USE OF THIS DRAWING AND/OR THE INFORMATION CONTAINED IN IT IS FORBIDDEN WITHOUT THE WRITTEN PERMISSION OF THE OWNER.



13051 TELECOM PARKWAY, SUITE 100  
TEMPLE TERRACE, FLORIDA 33637  
(813) 615-1422

CERTIFICATE OF AUTHORIZATION 28767



THIS DOCUMENT HAS BEEN ELECTRONICALLY SIGNED AND SEALED BY JEREMY D. SHARIT, PE (#75137) USING A DIGITAL SIGNATURE IN ACCORDANCE WITH F.A.C. 61G15-23.004, WITH A DIGITAL CERTIFICATE ISSUED BY ENTRUST, INC. PLEASE REFERENCE SHEET T1 TO VIEW THE SIGNATURE AND VERIFY ITS PROPERTIES. PRINTED COPIES OF THIS DOCUMENT ARE NOT CONSIDERED SIGNED AND SEALED AND THE SIGNATURE MUST BE VERIFIED ON ANY ELECTRONIC COPIES.

**NAPLES GULF SHORE THE BILLOWS**  
#9064976


RIGHT-OF-WAY OF GULF SHORE BOULEVARD JUST SOUTH OF HARBOUR DRIVE  
NAPLES, FLORIDA 34103 (COLLIER COUNTY)

2	SHEET NAME	TYPICAL CROSS-SECTION
	SHEET NUMBER	E2A

REV	DATE	DESCRIPTION
0	06/06/23	FINAL PLANS ISSUED
1	07/19/23	REVISED PER COMMENTS
2	09/06/23	REVISED PER COMMENTS

PROJECT NO.:	17-5526
DRAWN BY:	J.MENDEZ
PROJECT MANAGER:	M. MURPHY
CHECKED BY:	M. MURPHY


THIS DRAWING IS COPYRIGHTED AND IS THE SOLE PROPERTY OF THE OWNER. IT IS PRODUCED SOLELY FOR USE BY THE OWNER AND ITS AFFILIATES. REPRODUCTION OR USE OF THIS DRAWING AND/OR THE INFORMATION CONTAINED IN IT IS FORBIDDEN WITHOUT THE WRITTEN PERMISSION OF THE OWNER.



**SNW**  
ENGINEERING GROUP, INC.  
TOGETHER PLANNING A BETTER TOMORROW

13051 TELECOM PARKWAY, SUITE 100  
TEMPLE TERRACE, FLORIDA 33637  
(813) 615-1422

CERTIFICATE OF AUTHORIZATION 28767



7701 TELECOM PARKWAY EAST  
TEMPLE TERRACE, FLORIDA 33637

THIS DOCUMENT HAS BEEN ELECTRONICALLY SIGNED AND SEALED BY JEREMY D. SHARIT, PE (#75137) USING A DIGITAL SIGNATURE IN ACCORDANCE WITH F.A.C. 61G15-23.004, WITH A DIGITAL CERTIFICATE ISSUED BY ENTRUST, INC. PLEASE REFERENCE SHEET T1 TO VIEW THE SIGNATURE AND VERIFY ITS PROPERTIES. PRINTED COPIES OF THIS DOCUMENT ARE NOT CONSIDERED SIGNED AND SEALED AND THE SIGNATURE MUST BE VERIFIED ON ANY ELECTRONIC COPIES.

**NAPLES GULF SHORE  
THE BILLOWS  
#9064976**

RIGHT-OF-WAY OF GULF SHORE  
BOULEVARD JUST SOUTH OF  
HARBOR DRIVE  
NAPLES, FLORIDA 34103  
(COLLIER COUNTY)

△	SHEET NAME
	TYPICAL CROSS-SECTION
	SHEET NUMBER
	E2B

**NOTES:**

ALL UTILITIES NOT SHOWN IN R/W WILL BE LOCATED PRIOR TO CONSTRUCTION.

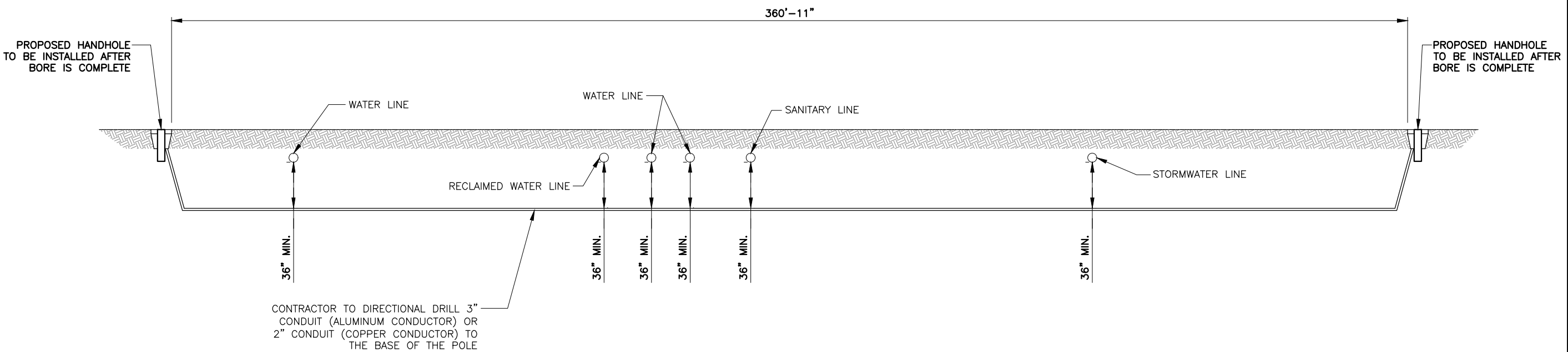
ALL UTILITIES IN AREA ARE APPROXIMATE. LOCATE PRIOR TO CONSTRUCTION.

MAINTAIN 36" MIN. HORIZONTAL AND 36" VERTICAL UTILITY SEPARATION.

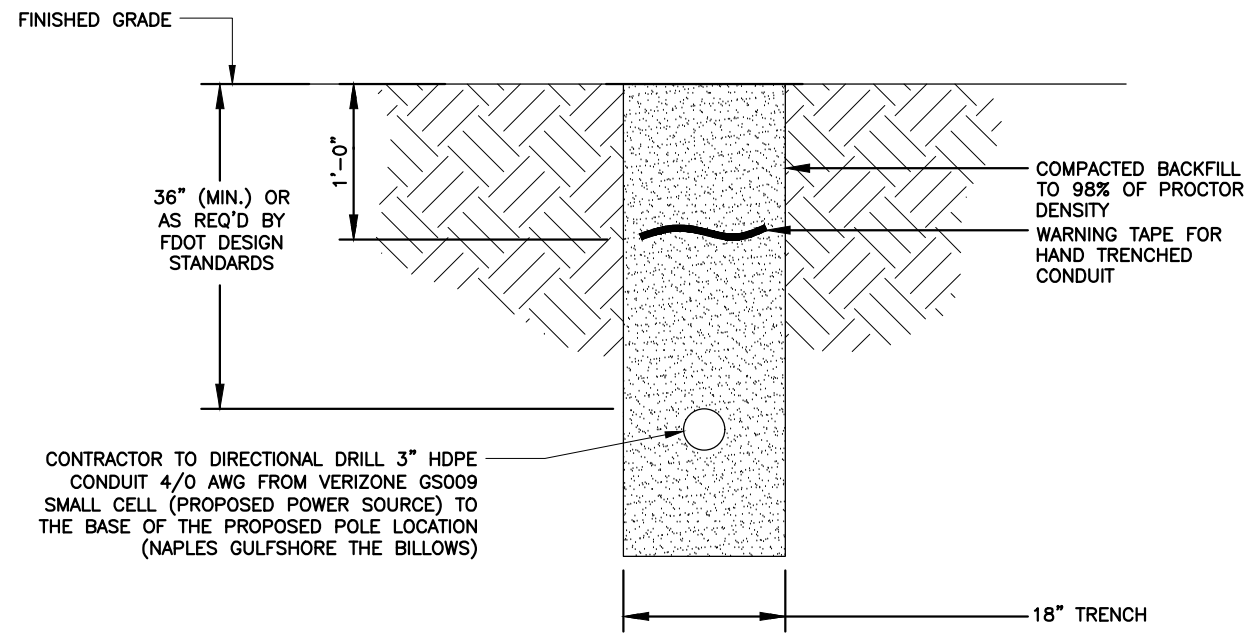
DRIVEWAYS, TREES & CULVERTS WILL BE DIRECTIONAL BORED.

CONTRACTOR TO MAINTAIN 5' HORIZONTAL CLEARANCE IF DIRECTIONAL BORE IS USED PARALLEL TO AN EXISTING WASTEWATER PIPELINE.

RIGHT OF WAYS WILL BE RESTORED AS GOOD AS OR BETTER THAN ORIGINAL CONDITION & COMPACTED PER CITY OF NAPLES STANDARDS.

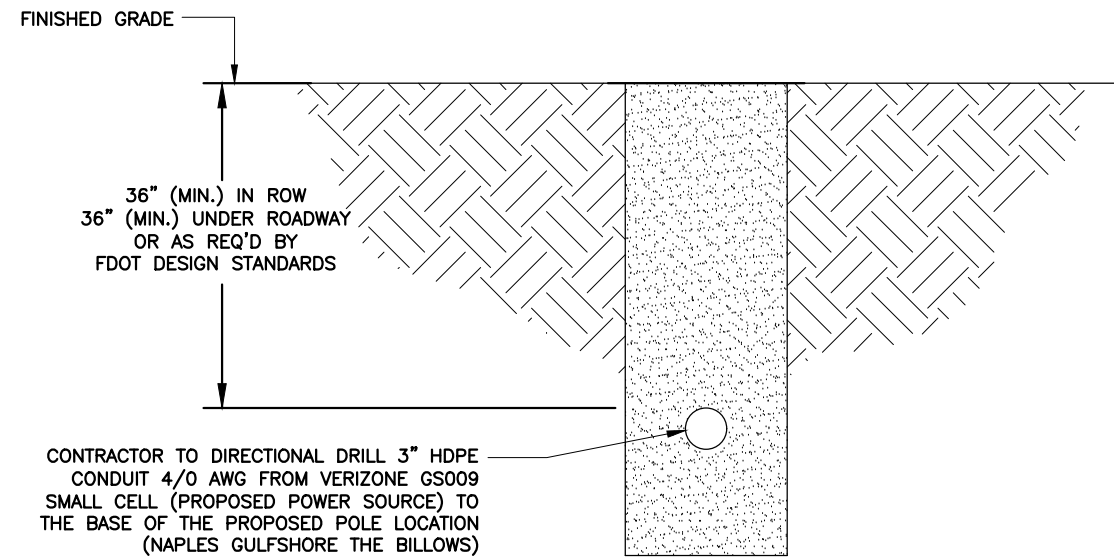


TYPICAL CROSS SECTION – EAST ELEVATION



TRENCHING DETAIL

NTS 1



BORING DETAIL

NTS 2

REV	DATE	DESCRIPTION
0	06/06/23	FINAL PLANS ISSUED

PROJECT NO.:	17-5526
DRAWN BY:	J.MENDEZ
PROJECT MANAGER:	M. MURPHY
CHECKED BY:	M. MURPHY

THIS DRAWING IS COPYRIGHTED AND IS THE SOLE PROPERTY OF THE OWNER. IT IS PRODUCED SOLELY FOR USE BY THE OWNER AND ITS AFFILIATES. REPRODUCTION OR USE OF THIS DRAWING AND/OR THE INFORMATION CONTAINED IN IT IS FORBIDDEN WITHOUT THE WRITTEN PERMISSION OF THE OWNER.



13051 TELECOM PARKWAY, SUITE 100  
 TEMPLE TERRACE, FLORIDA 33637  
 (813) 615-1422

CERTIFICATE OF AUTHORIZATION 28767



THIS DOCUMENT HAS BEEN ELECTRONICALLY SIGNED AND SEALED BY JEREMY D. SHARIT, PE (#75137) USING A DIGITAL SIGNATURE IN ACCORDANCE WITH F.A.C. 61G15-23.004, WITH A DIGITAL CERTIFICATE ISSUED BY ENTRUST, INC. PLEASE REFERENCE SHEET T1 TO VIEW THE SIGNATURE AND VERIFY ITS PROPERTIES. PRINTED COPIES OF THIS DOCUMENT ARE NOT CONSIDERED SIGNED AND SEALED AND THE SIGNATURE MUST BE VERIFIED ON ANY ELECTRONIC COPIES.

NAPLES GULF SHORE THE BILLOWS #9064976

RIGHT-OF-WAY OF GULF SHORE BOULEVARD JUST SOUTH OF HARBOUR DRIVE  
 NAPLES, FLORIDA 34103 (COLLIER COUNTY)

SHEET NAME  
 ELECTRICAL DETAILS

SHEET NUMBER  
 E3

REV	DATE	DESCRIPTION
0	06/06/23	FINAL PLANS ISSUED
PROJECT NO.:		17-5526
DRAWN BY:		J.MENDEZ
PROJECT MANAGER:		M. MURPHY
CHECKED BY:		M. MURPHY

THIS DRAWING IS COPYRIGHTED AND IS THE SOLE PROPERTY OF THE OWNER. IT IS PRODUCED SOLELY FOR USE BY THE OWNER AND ITS AFFILIATES. REPRODUCTION OR USE OF THIS DRAWING AND/OR THE INFORMATION CONTAINED IN IT IS FORBIDDEN WITHOUT THE WRITTEN PERMISSION OF THE OWNER.

**SMW**  
ENGINEERING GROUP, INC.  
TOGETHER PLANNING A BETTER TOMORROW

13051 TELECOM PARKWAY, SUITE 100  
TEMPLE TERRACE, FLORIDA 33637  
(813) 615-1422

CERTIFICATE OF AUTHORIZATION 28767

7701 TELECOM PARKWAY EAST  
TEMPLE TERRACE, FLORIDA 33637

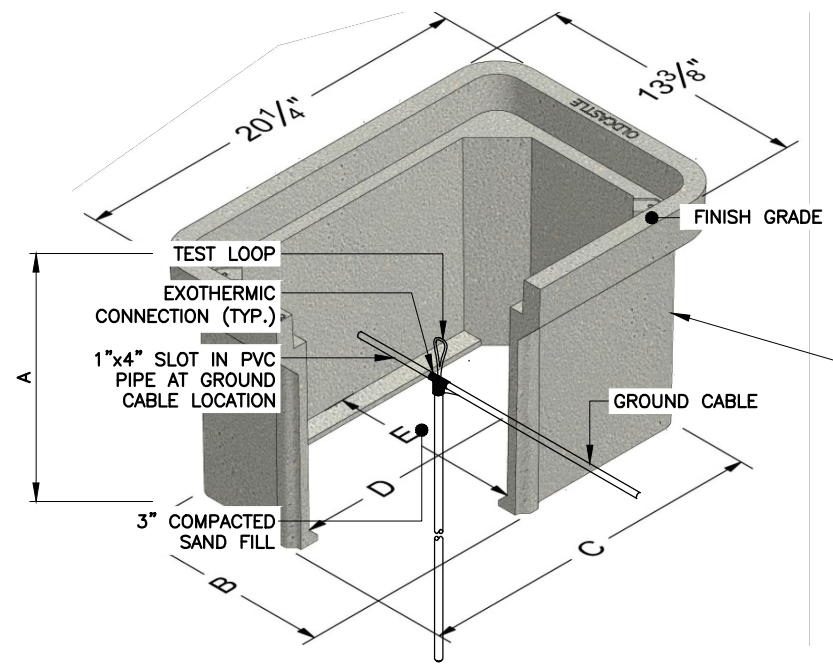
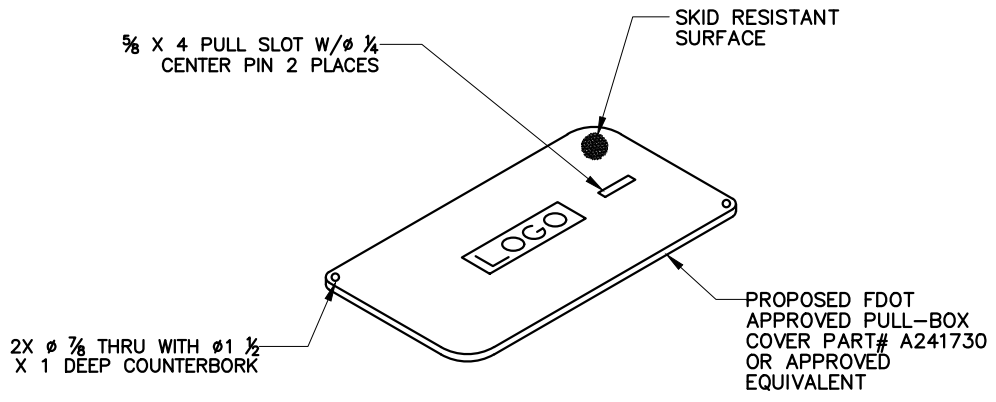
THIS DOCUMENT HAS BEEN ELECTRONICALLY SIGNED AND SEALED BY JEREMY D. SHARIT, PE (#75137) USING A DIGITAL SIGNATURE IN ACCORDANCE WITH F.A.C. 61G15-23.004, WITH A DIGITAL CERTIFICATE ISSUED BY ENTRUST, INC. PLEASE REFERENCE SHEET T1 TO VIEW THE SIGNATURE AND VERIFY ITS PROPERTIES. PRINTED COPIES OF THIS DOCUMENT ARE NOT CONSIDERED SIGNED AND SEALED AND THE SIGNATURE MUST BE VERIFIED ON ANY ELECTRONIC COPIES.

**NAPLES GULF SHORE  
THE BILLOWS  
#9064976**

RIGHT-OF-WAY OF GULF SHORE  
BOULEVARD JUST SOUTH OF  
HARBOR DRIVE  
NAPLES, FLORIDA 34103  
(COLLIER COUNTY)

SHEET NAME  
**PULL-BOX  
DETAILS**

SHEET NUMBER  
**E4**

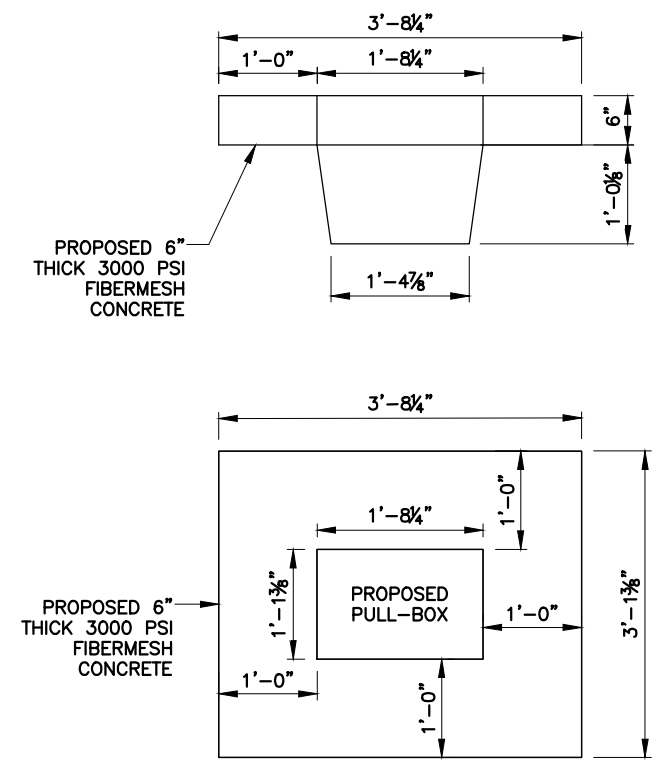


PROPOSED FDOT APPROVED PULL-BOX PART# B141730 OR APPROVED EQUIVALENT

**NOTES:**

- CONTRACTOR SHALL PROVIDE PRE-CAST CONCRETE INSPECTION WELL WITH CAST IRON TRAFFIC RATED LID WHEN WELL WILL BE IN AN AREA WHERE THEY CAN BE DAMAGED
- ALL WORK SHALL CONFORM TO THE LOCAL BUILDING CODES. DEPTH MAY VARY.

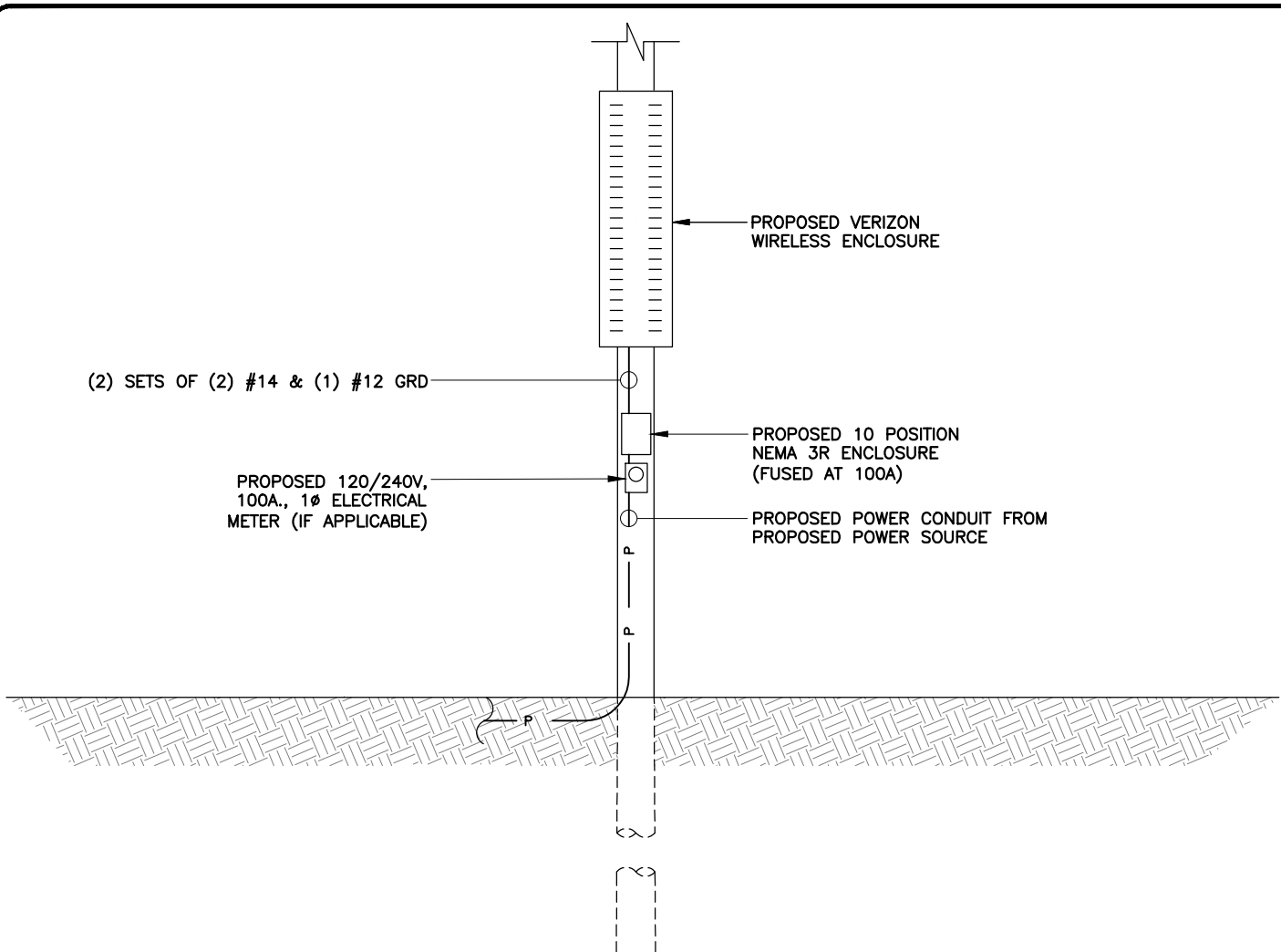
	A	B	C	D	E
1118-12	12	11-3/16	18-1/16	16-7/16	9-9/16
1118-18	18	11-1/16	17-15/16	16-3/16	9-5/16



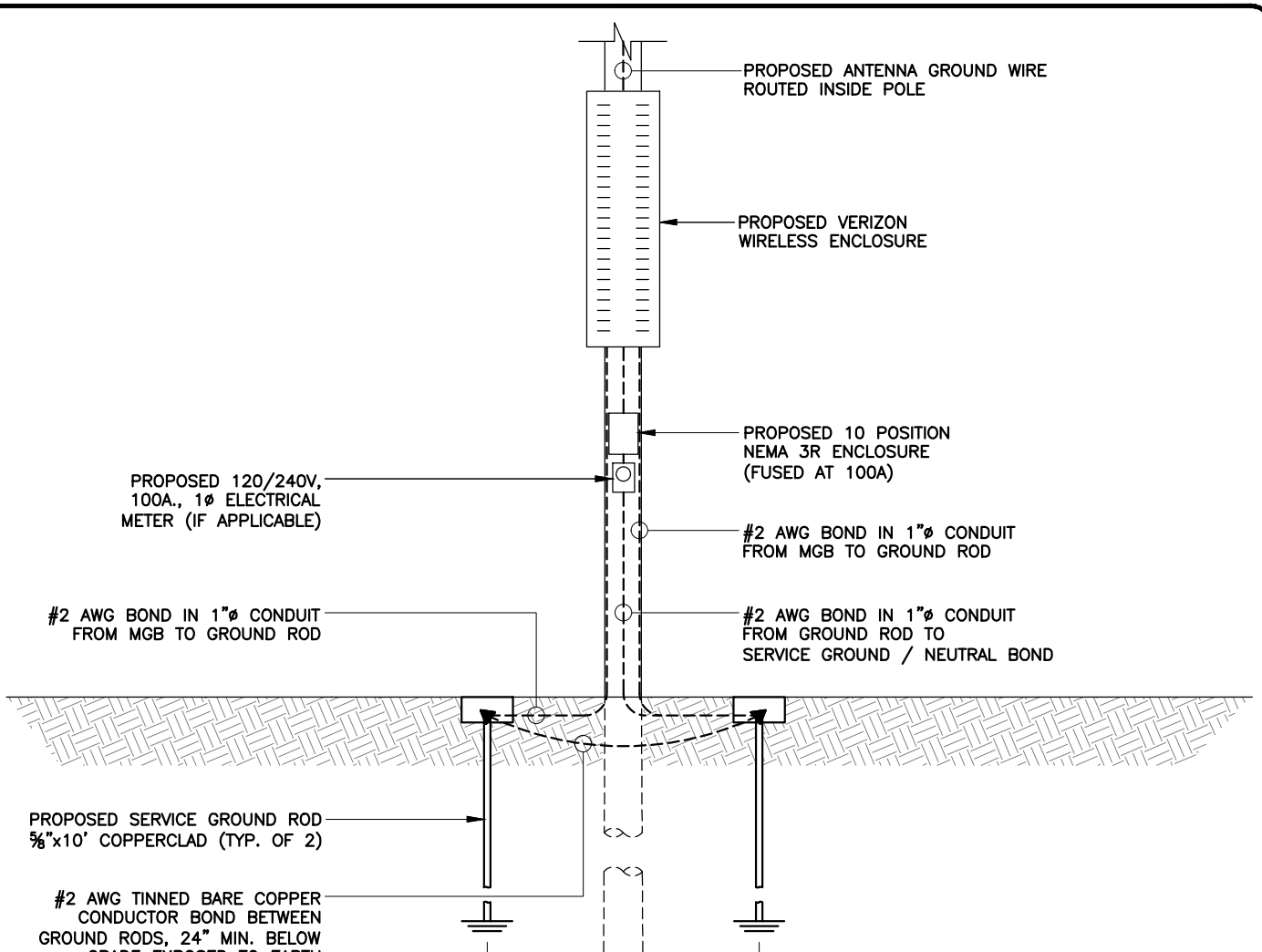
**NOTE:**  
THIS ASSEMBLY IS RATED FOR A STATIC DESIGN LOAD OF 15,000 LBS. OVER A 10 X 10 AREA AND MUST PASS A MINIMUM STATIC TEST LOAD OF 22,500 LBS.

**NOTE:**  
INSTALLATION OF APRON REQUIRED FOR NON-SIDEWALK INSTALLATIONS. IF PULL-BOX IS WITHIN CONCRETE SIDEWALK, APRON NOT REQUIRED.





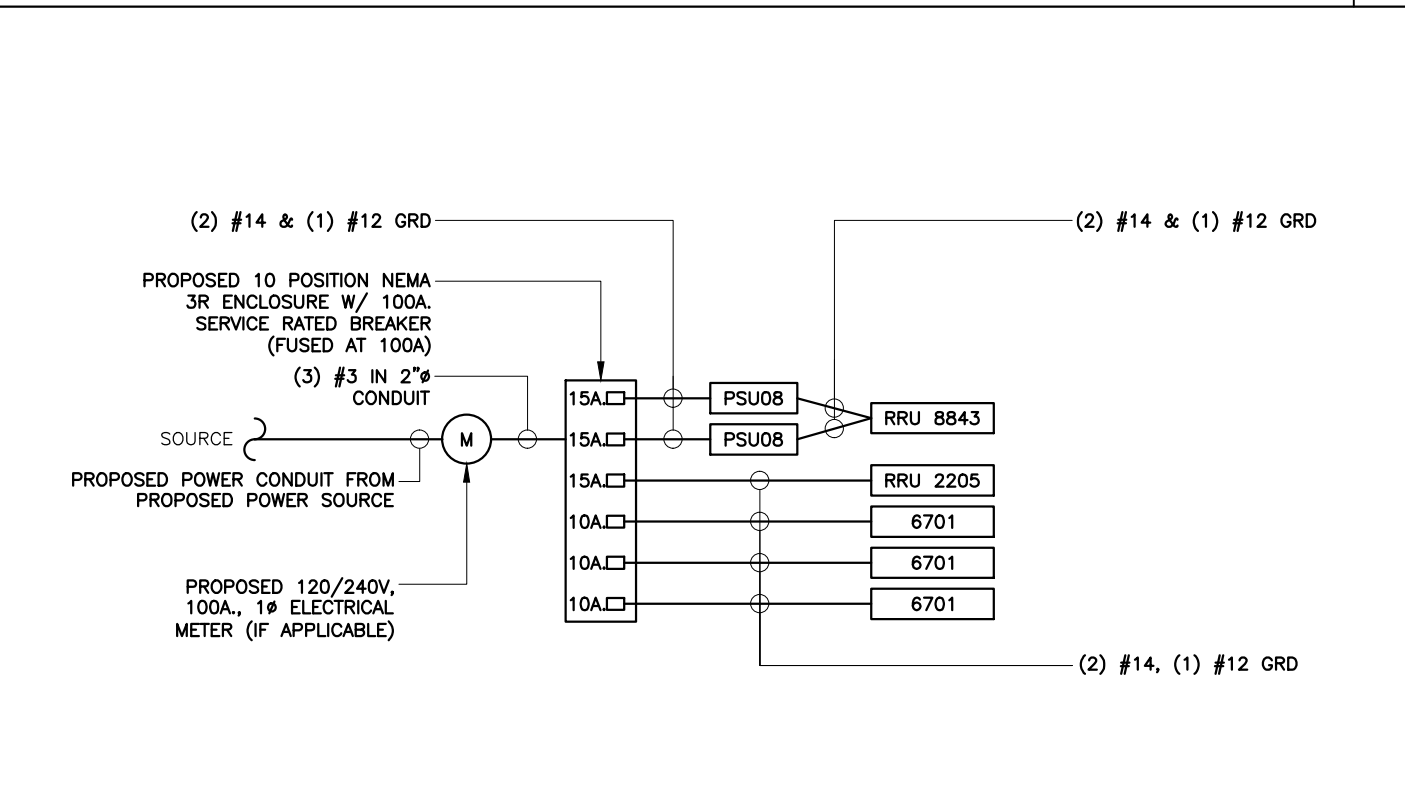
**NOTES:**  
 1. ALL LINES AND CONDUITS TO BE ROUTED INSIDE POLE.



**NOTES:**  
 1. ALL LINES AND CONDUITS TO BE ROUTED INSIDE POLE.

UTILITY ROUTING DETAIL      NTS    1

GROUNDING PLAN DETAIL      NTS    2



ONE-LINE DIAGRAM      NTS    3

PANEL NAME: VERIZON WIRELESS      PANEL RATING: 100 AMPS

LOCATION: NAPLES GULF SHORE THE BILLOWS      120/240 VOLTS

PHASE: 1      X    MCB    100    AMP

WIRE: 3      MAIN LUG ONLY

CKT NO.	DESCRIPTION	KVA			WIRE	GND	COND
		A	B	POLE			
1	PSU08	1.0	-	15/1	#14	#12	-
2	PSU08	-	1.0	15/1	#14	#12	-
3	RRU 2205	0.1	-	15/1	#14	#12	-
4	6701	-	0.4	10/1	#14	#12	-
5	6701	-	0.4	10/1	#14	#12	-
6	6701	-	0.4	10/1	#14	#12	-
7	SPACE	-	-	-	-	-	-
8	SPACE	-	-	-	-	-	-
SUB TOTAL KVA (CONT)		1.5	1.8				
SUB TOTAL KVA (NON-CONT)		0	0				
TOTAL KVA		4.1					
NON-CONT + 125% CONT.							
TOTAL AMPS		17.2					

PANEL SCHEDULE      NTS    4

REV	DATE	DESCRIPTION
0	06/06/23	FINAL PLANS ISSUED

PROJECT NO.: 17-5526

DRAWN BY: J.MENDEZ

PROJECT MANAGER: M. MURPHY

CHECKED BY: M. MURPHY

THIS DRAWING IS COPYRIGHTED AND IS THE SOLE PROPERTY OF THE OWNER. IT IS PRODUCED SOLELY FOR USE BY THE OWNER AND ITS AFFILIATES. REPRODUCTION OR USE OF THIS DRAWING AND/OR THE INFORMATION CONTAINED IN IT IS FORBIDDEN WITHOUT THE WRITTEN PERMISSION OF THE OWNER.



13051 TELECOM PARKWAY, SUITE 100  
 TEMPLE TERRACE, FLORIDA 33637  
 (813) 615-1422

CERTIFICATE OF AUTHORIZATION 28767



THIS DOCUMENT HAS BEEN ELECTRONICALLY SIGNED AND SEALED BY JEREMY D. SHARIT, PE (#75137) USING A DIGITAL SIGNATURE IN ACCORDANCE WITH F.A.C. 61G15-23.004, WITH A DIGITAL CERTIFICATE ISSUED BY ENTRUST, INC. PLEASE REFERENCE SHEET T1 TO VIEW THE SIGNATURE AND VERIFY ITS PROPERTIES. PRINTED COPIES OF THIS DOCUMENT ARE NOT CONSIDERED SIGNED AND SEALED AND THE SIGNATURE MUST BE VERIFIED ON ANY ELECTRONIC COPIES.

NAPLES GULF SHORE  
 THE BILLOWS  
 #9064976

RIGHT-OF-WAY OF GULF SHORE  
 BOULEVARD JUST SOUTH OF  
 HARBOUR DRIVE  
 NAPLES, FLORIDA 34103  
 (COLLIER COUNTY)

SHEET NAME: UTILITY ROUTING / GROUNDING PLAN

SHEET NUMBER: E5