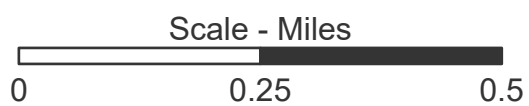


The Bike Loop

Pedestrian & Bicycle Master Plan

City of Naples



Proposed Facilities

- Wayfinding Signage
- Loop Route
- Bike Lane
- Traffic Calming
- Shared Use Path
- Sharrows

Existing Facilities

- Shoulders
- Bike Lanes
- Multi Use Paths
- Sharrows

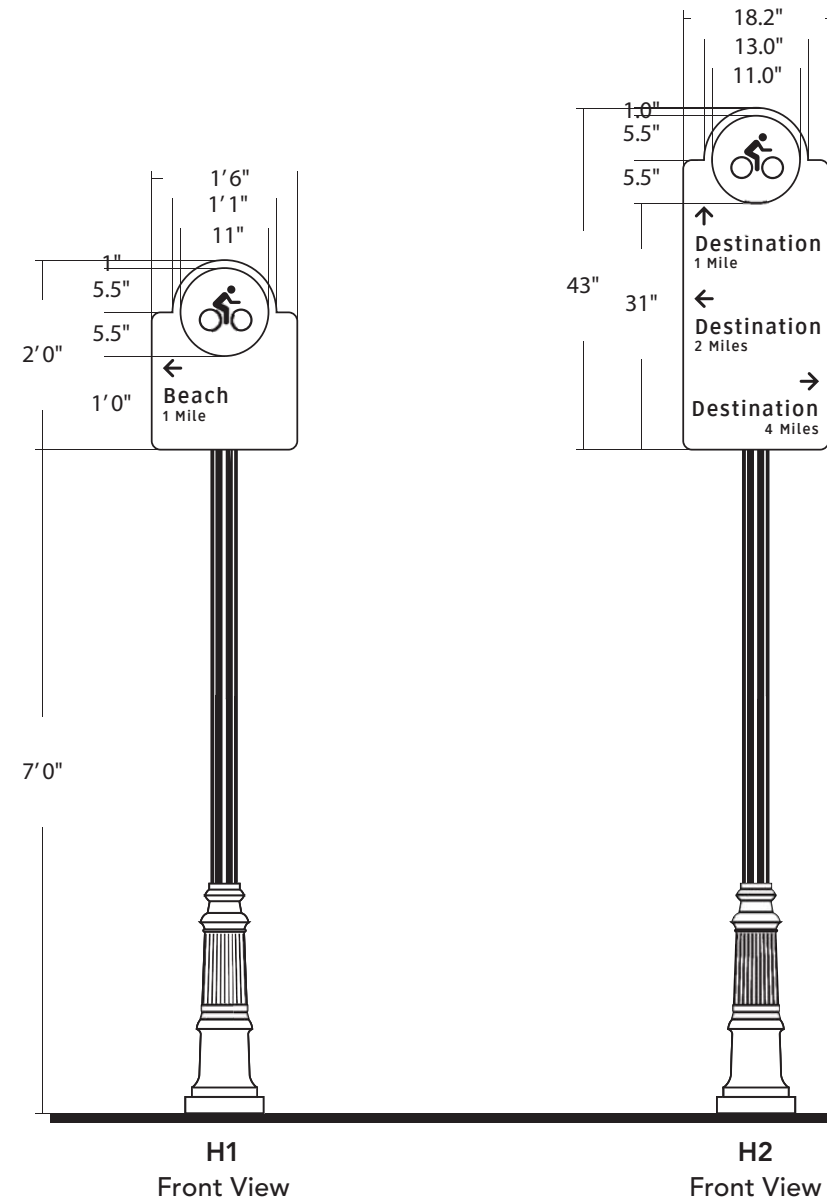
City of Naples

- City of Naples
- Parking

Sign Type H - Bike Path Directional

Scale: 1/2" = 1'

H



Decorative posts to match existing signs already installed within the City

Post and footer design is the responsibility of the sign contractor and shall comply with FDOT requirements (including breakaway) and all other codes

AECOM

Wayfinding Studio
150 N Orange Avenue
Suite 200
Orlando FL 32801
407 843 6552

City of Naples
735 8th Street South
Naples, FL 34102

City of Naples

Wayfinding Signage
Conceptual Design
Additional Sign Types

These drawings express visual design intent only. Final engineering, materials, and fabrication shall remain the responsibility of the fabricator.

The content of this document is subject to the design intent requirements outlined in the Specifications.

Date Issued: January 24, 2017

Revisions:

Project Team: KMN
SPC

Drawn by: KMN
SPC

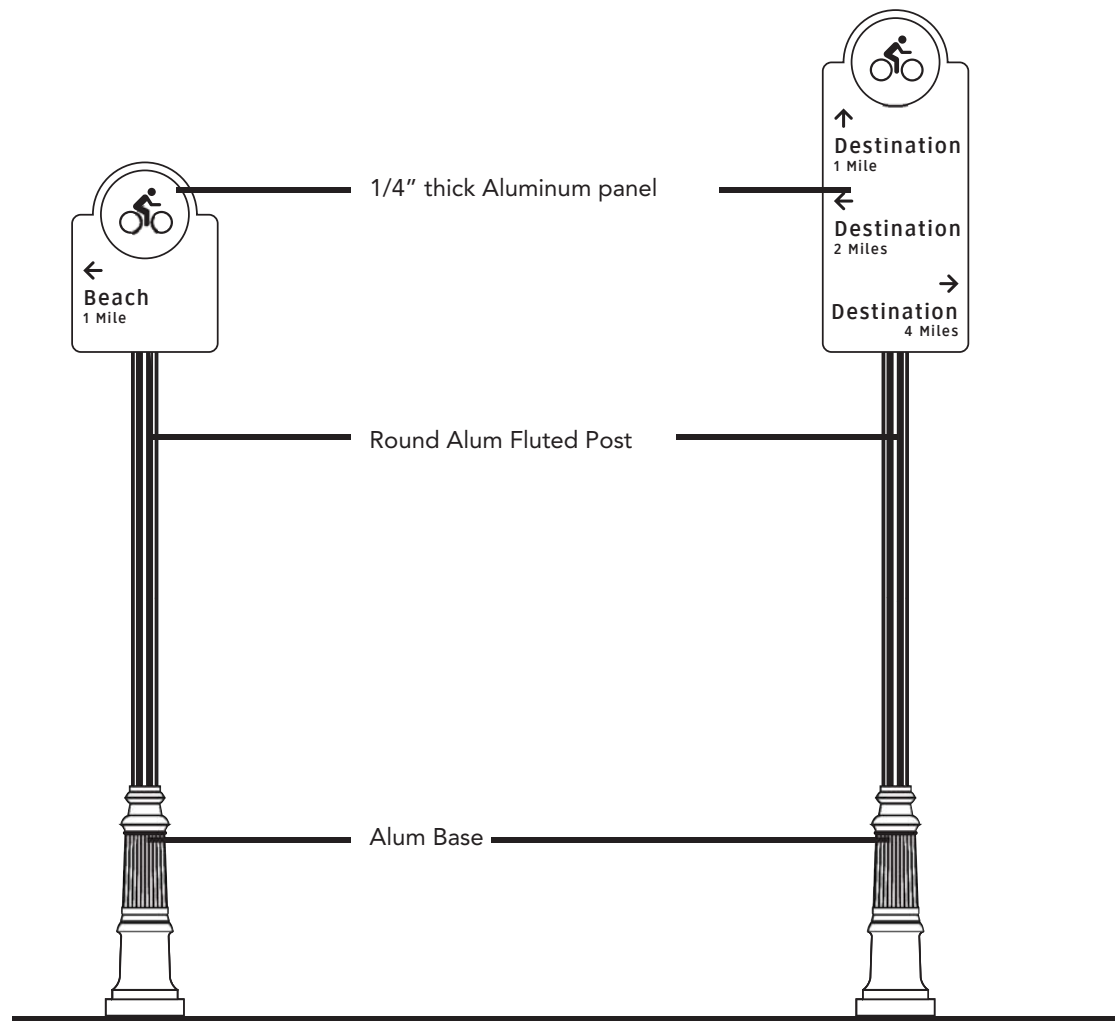
OPTIONAL
Sign Type H
Bike Path Directional Signs

AG-702

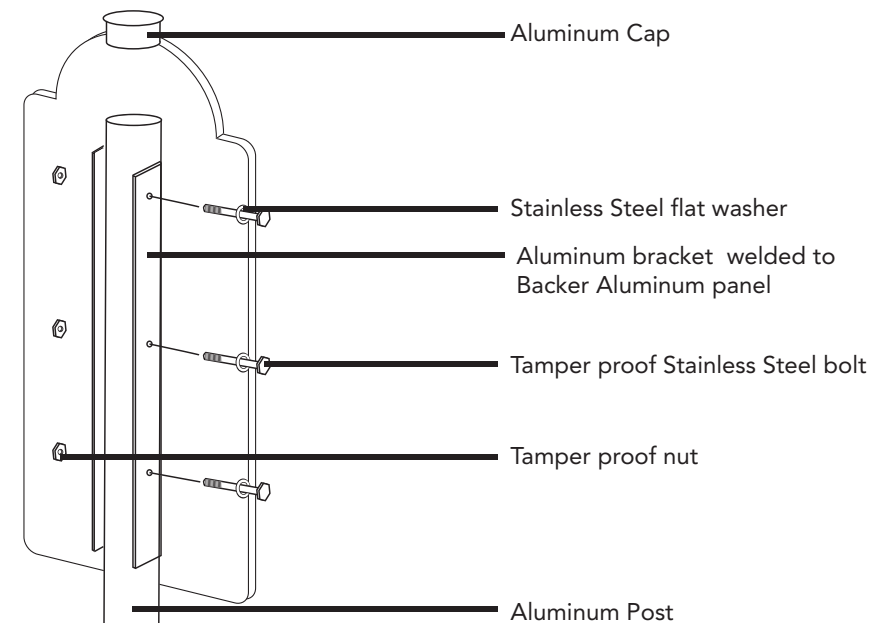
Sign Type H - Bike Path Directional

Scale: 1/2" = 1'

H



Design Inset - Assembly



H1 & H2

AECOM

Wayfinding Studio
150 N Orange Avenue
Suite 200
Orlando FL 32801
407 843 6552

City of Naples
735 8th Street South
Naples, FL 34102

City of Naples

Wayfinding Signage
Conceptual Design
Additional Sign Types

These drawings express visual design intent only. Final engineering, materials, and fabrication shall remain the responsibility of the fabricator.

The content of this document is subject to the design intent requirements outlined in the Specifications.

Date Issued: January 24, 2017

Revisions:

Project Team: KMN
SPC

Drawn by: KMN
SPC

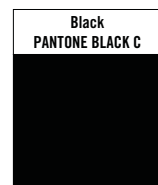
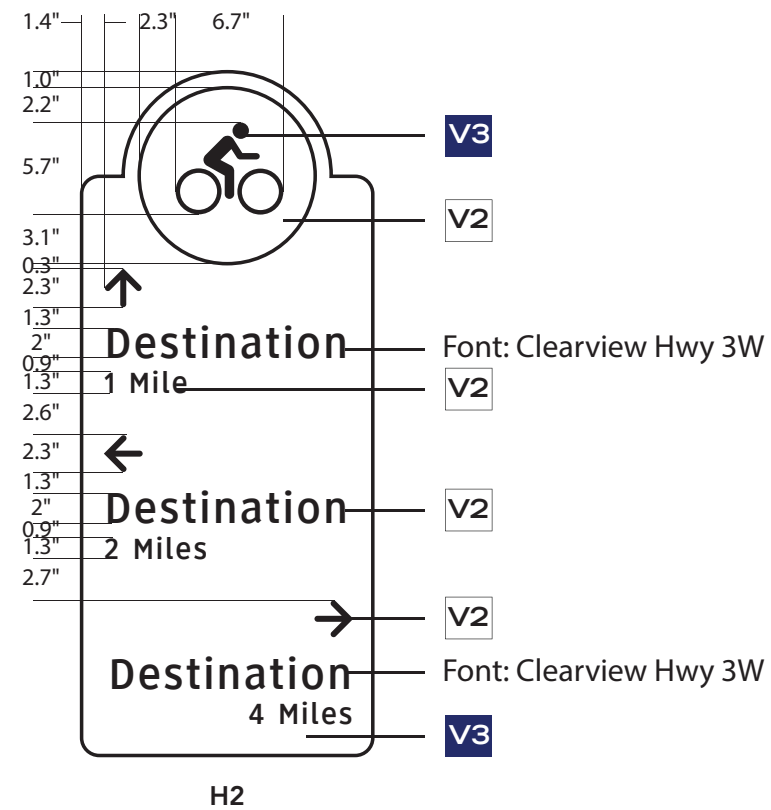
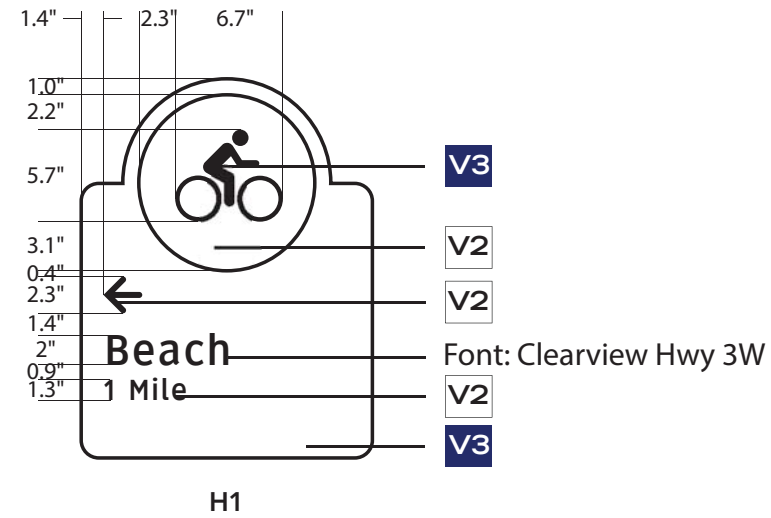
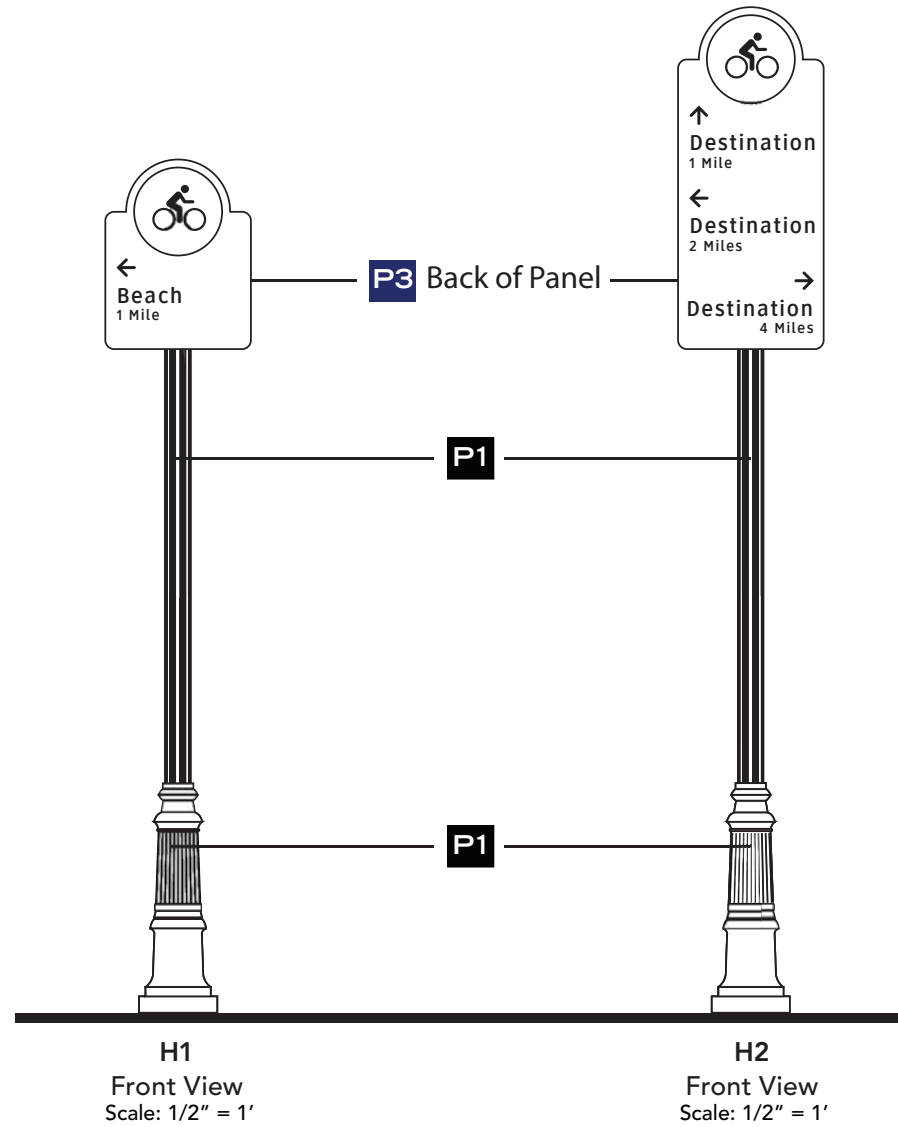
OPTIONAL
Sign Type H
Bike Path Directional Signs

AG-703

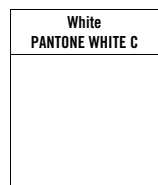
Sign Type H - Bike Path Directional

Scale: 1" = 1'

H



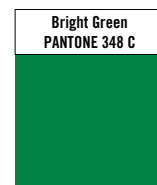
P1 Matthews Paint Low VOC Satin Finish MP59647 (Black is Back)
V1 3M Scotchlite Electronic Cuttable Film 1178



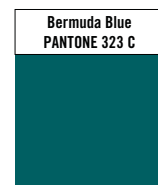
P2 Matthews Paint Low VOC Satin Finish MP31645 (Designer White)
V2 3M Diamond Grade DG3 White Reflective Sheeting 4090



P3 Matthews Paint Low VOC Satin Finish MP897
V3 3M Scotchlite Sapphire Blue Opaque Film 7725-37



P4 Matthews Paint Low VOC Satin Finish MP77969
V4 3M Scotchlite Bright Green Opaque Film 7725-186



P5 Matthews Paint Low VOC Satin Finish MP79564
V5 3M Scotchlite Bermuda Blue Opaque Film 7725-357

Color & Materials Palette

AECOM

Wayfinding Studio
150 N Orange Avenue
Suite 200
Orlando FL 32801
407 843 6552

City of Naples
735 8th Street South
Naples, FL 34102

City of Naples

Wayfinding Signage
Conceptual Design
Additional Sign Types

These drawings express visual design intent only. Final engineering, materials, and fabrication shall remain the responsibility of the fabricator.

The content of this document is subject to the design intent requirements outlined in the Specifications.

Date Issued: January 24, 2017

Revisions:

Project Team: KMN
SPC

Drawn by: KMN
SPC

OPTIONAL
Sign Type H
Bike Path Directional Signs

AG-704