

# SERENA & LILY

393 Broad Ave S  
Naples, FL 34102

**THIS SIGN PACKAGE CONTAINS:**

- SN1** storefront sign
- Sn2** side elevation sign

# NGS

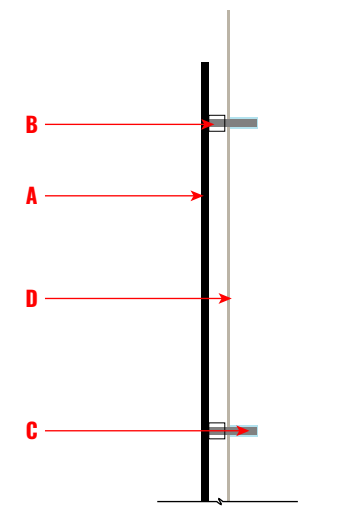
140 Mountain Brook Dr  
Canton, GA 30115  
p 888.995.4263  
f 888.995.6636

7'-11 1/4"

11"

# SERENA & LILY

**1** STOREFRONT SIGN  
scale: 1" = 1'-0"



**A** LETTER SECTION

## SN1 - STOREFRONT SIGN ELEVATION & DETAILS

### LEGEND

- A.** 1/4" aluminum flat cut out letters painted black satin finish
- B.** 3/8" dia x 1/4" long spacers painted with white satin finish
- C.** #8-32 x 4" all-thread mounting pins fastened to backside of sign, set into exterior wall with construction adhesive
- D.** Existing exterior wall



**B** ELEVATION  
scale: 1/4" = 1'-0"

**JOB NAME**  
SERENA & LILY

**JOB LOCATION**  
393 Broad Ave S  
Naples, FL 34102

**NGS REP**  
Heather Israel, heather.israel@filmsandgraphics.com  
866-925-2083

**DATE/NOTES**  
02/01/24 ABA: drawn  
02/06/24 ED: drawn  
04/11/24 ED: drawn

**NGS** 140 Mountain Brook Dr  
Canton, GA 30115  
p 888.995.4263  
f 888.995.6636

This drawing/concept and all intellectual property rights (including, without limitation, all copyright and design rights) subsisting in this drawing and related information, belongs to National Glazing Solutions and may not be used or reproduced without the expressed, written consent of National Glazing Solutions.

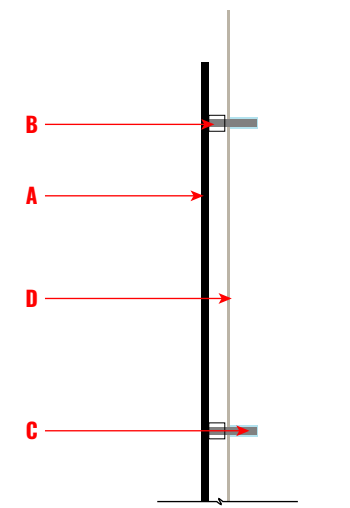
It is the customer's responsibility to ensure that the drawings are correct in all areas. Please be sure to double-check all logos, colors, spelling, layout, materials, and installation surface before approving any job. An authorized signature is required before a job can be entered into production.

7'-11 1/4"

11"

# SERENA & LILY

**1** SIDE ELEVATION SIGN  
scale: 1" = 1'-0"



**A** LETTER SECTION

## SN2 - SIDE ELEVATION SIGN ELEVATION & DETAILS

### LEGEND

- A. 1/4" aluminum flat cut out letters painted black satin finish
- B. 3/8" dia x 1/4" long spacers painted with white satin finish
- C. #8-32 x 4" all-thread mounting pins fastened to backside of sign, set into exterior wall with construction adhesive
- D. Existing exterior wall



**B** ELEVATION  
scale: NTS

JOB NAME  
SERENA & LILY

JOB LOCATION  
393 Broad Ave S  
Naples, FL 34102

NGS REP  
Heather Israel, heather.israel@filmsandgraphics.com  
866-925-2083

DATE/NOTES  
02/01/24 ABA: drawn  
02/06/24 ED: drawn  
04/11/24 ED: drawn

**NGS** 140 Mountain Brook Dr  
Canton, GA 30115  
p 888.995.4263  
f 888.995.6636

This drawing/concept and all intellectual property rights (including, without limitation, all copyright and design rights) subsisting in this drawing and related information, belongs to National Glazing Solutions and may not be used or reproduced without the expressed, written consent of National Glazing Solutions.

It is the customer's responsibility to ensure that the drawings are correct in all areas. Please be sure to double-check all logos, colors, spelling, layout, materials, and installation surface before approving any job. An authorized signature is required before a job can be entered into production.